

(19) World Intellectual Property Organization
International Bureau



(10) International Publication Number
WO 2009/143161 A1

(43) International Publication Date
26 November 2009 (26.11.2009)

(51) International Patent Classification:
A61F 2/74 (2006.01)

(21) International Application Number:
PCT/US2009/044530

(22) International Filing Date:
19 May 2009 (19.05.2009)

(25) Filing Language: English

(26) Publication Language: English

(30) Priority Data:
61/071,823 20 May 2008 (20.05.2008) US

(71) Applicant (for all designated States except US):
BERKELEY BIONICS [US/US]; 2131 University Ave.,
#428, Berkeley, CA 94704 (US).

(72) Inventors; and

(75) Inventors/Applicants (for US only): **KAZEROONI, Homayoon** [US/US]; 2806 Ashby Avenue, Berkeley, CA 94705 (US). **AMUNDSON, Kurt** [US/US]; 1337 Cornell, Apt. B, Berkeley, CA 94702 (US). **HARDING, Nathan** [US/US]; 5459 Boyd Avenue, Oakland, CA 94618 (US).

(74) Agent: **DIEDERIKS, Everett, G., Jr.**; Diederiks & Whitelaw, PLC, 12471 Dillingham Sq., #301, Woodbridge, VA 22192 (US).

(81) Designated States (unless otherwise indicated, for every kind of national protection available): AE, AG, AL, AM, AO, AT, AU, AZ, BA, BB, BG, BH, BR, BW, BY, BZ, CA, CH, CN, CO, CR, CU, CZ, DE, DK, DM, DO, DZ, EC, EE, EG, ES, FI, GB, GD, GE, GH, GM, GT, HN, HR, HU, ID, IL, IN, IS, JP, KE, KG, KM, KN, KP, KR, KZ, LA, LC, LK, LR, LS, LT, LU, LY, MA, MD, ME, MG, MK, MN, MW, MX, MY, MZ, NA, NG, NI, NO, NZ, OM, PG, PH, PL, PT, RO, RS, RU, SC, SD, SE, SG, SK, SL, SM, ST, SV, SY, TJ, TM, TN, TR, TT, TZ, UA, UG, US, UZ, VC, VN, ZA, ZM, ZW.

(84) Designated States (unless otherwise indicated, for every kind of regional protection available): ARIPO (BW, GH, GM, KE, LS, MW, MZ, NA, SD, SL, SZ, TZ, UG, ZM, ZW), Eurasian (AM, AZ, BY, KG, KZ, MD, RU, TJ, TM), European (AT, BE, BG, CH, CY, CZ, DE, DK, EE, ES, FI, FR, GB, GR, HR, HU, IE, IS, IT, LT, LU, LV, MC, MK, MT, NL, NO, PL, PT, RO, SE, SI, SK, TR), OAPI (BF, BJ, CF, CG, CI, CM, GA, GN, GQ, GW, ML, MR, NE, SN, TD, TG).

[Continued on next page]

(54) Title: DEVICE AND METHOD FOR DECREASING ENERGY CONSUMPTION OF A PERSON BY USE OF A LOWER EXTREMITY EXOSKELETON

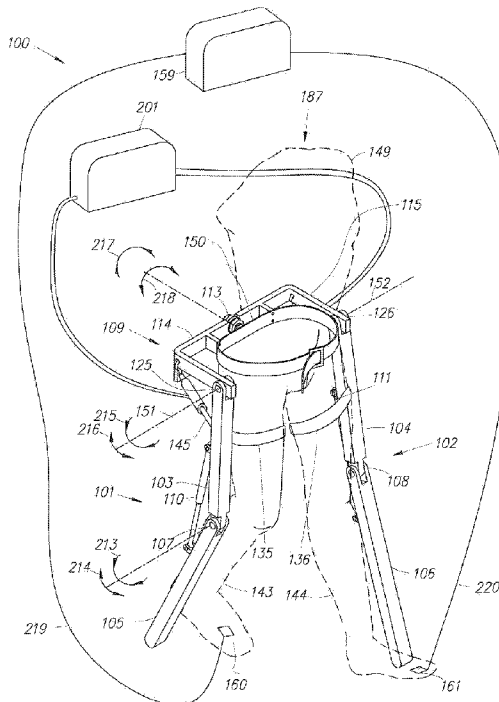


Fig. 9

(57) Abstract: A lower extremity exoskeleton (100), configurable to be coupled to a person, includes: leg supports (101, 102) configurable to be coupled to the person's lower limbs and designed to rest on the ground during stance phases, with each leg support (101, 102) having a thigh link (104, 105) and a shank link (106, 107); two knee joints (107, 108), each configured to allow flexion and extension between respective shank (106, 107) and thigh links (107, 108); an exoskeleton trunk (109) configurable to be coupled to the person's upper body, rotatably connectable to the thigh links (107, 108) of the leg supports (101, 102), allowing for the flexion and extension between the leg supports (101, 102) and the exoskeleton trunk (109); two hip actuators (145, 146) configured to create torques between the exoskeleton trunk (109) and the leg supports (101, 102); and at least one power unit (201) capable of providing power to the hip actuators (145, 146). In use, power is supplied to the hip actuators (145, 146) in an amount to reduce the energy consumed by a user during a walking cycle.

WO 2009/143161 A1

Published:

— *with international search report (Art. 21(3))*

**DEVICE AND METHOD FOR DECREASING ENERGY CONSUMPTION OF A
PERSON BY USE OF A LOWER EXTREMITY EXOSKELETON**

CROSS-REFERENCE TO RELATED APPLICATIONS

[0001] This application claims the benefit of U.S. Provisional Application No. 61/071,823 entitled DEVICE AND METHOD FOR DECREASING ENERGY CONSUMPTION OF A PERSON BY USE OF A LOWER EXTREMITY EXOSKELETON, filed May 20, 2008.

BACKGROUND OF THE INVENTION

Field of the Invention

[0002] The present invention relates generally to the field of lower extremity exoskeletons and, more particularly, to the field of lower extremity exoskeletons that decrease their wearer's energy consumption.

Discussion of the Prior Art

[0003] In a wide variety of situations, people of ordinary ability often consume a great deal of energy when walking or carrying a load. One attempt to improve load carrying ability is set forth in the paper entitled "A QUASI-PASSIVE LEG EXOSKELETON FOR LOAD-CARRYING AUGMENTATION", C. J. Walsh, K. Endo, and H. Herr, International Journal of Humanoid Robotics, 2007. However, the quasi-passive exoskeleton taught by Walsh et al. increases its wearer's oxygen consumption. More specifically, the exoskeleton described has no actuation and power unit and therefore will not be able to transfer power from the exoskeleton to the person. This means that this type of system, regardless of the location and strength of its

springs, will not decrease its wearer's energy expenditure. Since oxygen consumption is proportional to energy expended, a wearer's oxygen consumption will not be decreased.

[0004] An article published by Popular Science Magazine (May 2008) describes a powered exoskeleton system designed and built by Sarcos, that is controlled by a method called "get out of the way". This method measures the forces and torques a wearer exerts onto the exoskeleton and drives the exoskeleton based on these measurements. This "get out of the way" control method has been extensively used in control of intelligent assist devices. See U.S. Patents 6,299,139, 6,386,513, and 6,886,812. However, the "get out of the way" control method will not reduce a wearer's energy expenditure because the force from the exoskeleton onto the wearer is in the opposite direction to the wearer's motion and in fact increases the wearer's energy expenditure.

[0005] Based on the above, opportunities exist to provide a general purpose exoskeleton device that will decrease the wearer's energy consumption while the device is worn. Providing an exoskeleton that decreases the energy consumption of its wearer would allow a wearer to walk and carry heavy objects, while reducing the wearer's energy expenditure. In particular, this invention covers various embodiments of exoskeleton devices that decrease their wearers' energy expenditure during a stance phase.

SUMMARY OF THE INVENTION

[0006] The opportunities described above are addressed in several embodiments of a lower extremity exoskeleton, wearable by a person. The lower extremity exoskeleton described here is configurable to be coupled to a person and, among other components, comprises: two leg supports configurable to be coupled to the person's lower limbs; two knee joints, each of which is configured to allow flexion and extension between a respective shank link and respective thigh link; an exoskeleton trunk, which is configurable to be coupled to the person's upper body and is rotatably connectable to the thigh links of the leg supports, allowing for the flexion and extension between the leg supports and the exoskeleton trunk; two hip actuators, which are configured to create torques between the exoskeleton trunk and leg supports; and at least one power unit, which is capable of providing power to the hip actuators, among other components. In operation, when the lower extremity exoskeleton is worn by the person, one leg support is in the stance

phase and the other leg support is in the swing phase, the power unit is configured to cause the hip actuator of the leg support in the stance phase to create a torque profile such that the energy supplied by the power unit to the hip actuator of the leg support in stance phase is greater than the energy required to move the exoskeleton trunk and the leg support in stance phase through the same trajectory when not worn by the person.

BRIEF DESCRIPTION OF THE DRAWINGS

[0007] These and other features, aspects, and advantages of the present invention will become better understood when the following detailed description is read with reference to the accompanying drawings, in which like characters represent like parts throughout the drawings, wherein:

[0008] Figure 1 is a front perspective drawing of an exoskeleton of the present invention;

[0009] Figure 2 is a rear perspective drawing of the exoskeleton of Figure 1.

[0010] Figure 3 depicts an alternative exoskeleton of the present invention in a stance phase;

[0011] Figure 4 depicts the exoskeleton of Figure 3 moving in a forward velocity direction during the stance phase;

[0012] Figure 5 depicts forces and dimensions associated with the exoskeleton of Figure 3 in the stance phase;

[0013] Figure 6 is a schematic drawing of a power unit of the present invention;

[0014] Figure 7 is a schematic drawing of an alternative power unit of the present invention including a flow restrictive valve;

[0015] Figure 8 is a schematic drawing of an alternative power unit of the present invention including a three-way valve;

[0016] Figure 9 is a perspective drawing of an alternative exoskeleton of the present invention including stance sensors in communication with a signal processor;

[0017] Figure 10 is a perspective drawing of an alternative exoskeleton of the present invention including a hip resilient element;

[0018] Figure 11 is a perspective drawing of an alternative exoskeleton of the present invention including a connecting bracket for carrying a rear load;

- [0019] Figure 12 is a perspective drawing of an alternative exoskeleton of the present invention including extension frames for carrying a front load;
- [0020] Figure 13 is a perspective drawing of an alternative exoskeleton of the present invention including a hip abduction stop;
- [0021] Figure 14 is a perspective drawing of an alternative exoskeleton of the present invention including a hip resilient element in the form of a leaf spring;
- [0022] Figure 15 is a perspective drawing of an alternative exoskeleton of the present invention including two hip resilient elements;
- [0023] Figure 16 is a perspective drawing of an alternative exoskeleton of the present invention including two hip joints;
- [0024] Figure 17 is a perspective drawing of an alternative exoskeleton of the present invention including a back pack frame;
- [0025] Figure 18 is a perspective drawing of an alternative exoskeleton of the present invention including two hip resilient elements and exoskeleton feet;
- [0026] Figure 19 is a partial view of the exoskeleton of Figure 18, showing thigh joint details;
- [0027] Figure 20 is a partial view of the exoskeleton of Figure 18, showing details of a compression-elongation mechanism;
- [0028] Figure 21 is a perspective drawing of an alternative exoskeleton of the present invention including shoes;
- [0029] Figure 22 is a perspective drawing of an alternative exoskeleton of the present invention including insoles;
- [0030] Figure 23 is partial view of an exoskeleton foot of Figure 18 including a ball and socket joint;
- [0031] Figure 24 is a perspective drawing of an alternative exoskeleton foot of the present invention including resilient elements;
- [0032] Figure 25 is a perspective drawing of an alternative exoskeleton foot of the present invention including an abduction-adduction resilient element;
- [0033] Figure 26 is a perspective drawing of an alternative exoskeleton foot of the present invention including a shank rotating joint;

- [0034] Figure 27 depicts forces and dimensions associated with an alternative exoskeleton of the present invention in a stance phase;
- [0035] Figure 28 is a partial cross-sectional side view of an alternative exoskeleton foot of the present invention including an integrated stance sensor;
- [0036] Figure 29 is a top perspective view of an alternative exoskeleton foot of the present invention including a force sensor;
- [0037] Figure 30 is a partial cross-sectional side view of an alternative shoe of the present invention including an integrated stance sensor;
- [0038] Figure 31 is a partial cross-sectional side view of an alternative shoe of the present invention including a sole-mounted stance sensor;
- [0039] Figure 32 is a partial cross-sectional side view of an alternative shoe of the present invention including a force sensor incorporated into the shoe sole;
- [0040] Figure 33 is a side view of an alternative exoskeleton of the present invention carried in a vertical stowed position;
- [0041] Figure 34 is a partial perspective view of the exoskeleton of Figure 33;
- [0042] Figure 35 is a perspective drawing of an alternative exoskeleton foot of the present invention including hydraulic rotary dampers;
- [0043] Figure 36 is a schematic drawing of a knee hydraulic circuit of the present invention;
- [0044] Figure 37 is a schematic drawing of an alternative knee hydraulic circuit of the present invention including a three-way valve;
- [0045] Figure 38 is a schematic drawing of an alternative knee hydraulic circuit of the present invention including a check valve;
- [0046] Figure 39 is a schematic drawing of an alternative knee hydraulic circuit of the present invention including a three-way valve and a check valve;
- [0047] Figure 40 is a schematic drawing of an alternative knee hydraulic circuit of the present invention including a two-way valve and a check valve;
- [0048] Figure 41 depicts the function of a locking knee joint in accordance with the present invention;
- [0049] Figure 42 is a side view of an alternative right leg support of the present invention including knee resilient elements in parallel with torque generators;

[0050] Figure 43 is a side view of an alternative right leg support of the present invention including knee resilient elements in series with torque generators;

[0051] Figure 44 is a diagram depicting the use of a closed loop controller to control force applied in accordance with the present invention; and

[0052] Figure 45 is a side view of an alternative exoskeleton of the present invention including legs which do not touch the ground.

DETAILED DESCRIPTION OF THE INVENTION

[0053] In accordance with an embodiment of the present invention, Figure 1 is a perspective drawing illustrating a lower extremity exoskeleton 100 wearable by a person 187 that is able to decrease the wearer's energy consumption during walking. Lower extremity exoskeleton 100, in addition to other components, includes two leg supports, 101 and 102, which are configured to be coupled to person's lower limbs 143 and 144, and is configured to rest on a support surface (e.g., the ground) during their stance phase. The term stance phase should be understood to mean the position a leg support 101 or 102 is in when a force is being applied to a user's foot and leg associated with the leg support 101 or 102. The leg supports, in addition to other components, includes thigh links 103 and 104 and shank links 105 and 106. Two knee joints, 107 and 108, are configured to allow flexion and extension between the shank link and the thigh link of the leg supports (shown by knee flexion arrow 213 and knee extension arrow 214, respectively) during the corresponding leg support swing phase. The term swing phase should be understood to mean the position a leg support 101 or 102 is in when a force is not be applied to a user's foot and leg associated with the leg support 101 or 102. However, two knee joints, 107 and 108, in some embodiments are configured to resist flexion between the shank link and the thigh link of the leg supports during the corresponding leg support stance phase. Lower extremity exoskeleton 100, among other components, further comprises an exoskeleton trunk 109. Exoskeleton trunk 109, among other components, comprises an upper body interface device 150. Exoskeleton trunk 109 is configurable to be coupled to the person's upper body 149 through upper body interface device 150. Person's upper body 149 means any location generally above the thighs, including the buttock. Examples of upper body interface device 150 comprise an element or combination of elements including, without limitation, vests, belts, straps, shoulder

straps, chest straps, body cast, harness, and waist belts. Exoskeleton trunk 109 is rotatably connectable to leg supports 101 and 102 at hip flexion-extension joints 125 and 126, allowing for the hip flexion and extension rotations (shown by hip extension arrow 215 and hip flexion arrow 216, respectively) of leg supports 101 and 102 about hip flexion-extension axes 151 and 152, respectively. Leg supports 101 and 102 are configurable to be coupled to person's lower limbs 143 and 144 through lower limb interface straps 135 and 136. Person's lower limbs 143 and 144 should be understood to mean any location generally below the thighs. In some embodiments, as shown in Figure 1, lower limb interface straps 135 and 136 are coupled to thigh links 103 and 104. In some embodiments, as shown in Figure 2, lower limb interface straps 135 and 136 are coupled to shank links 105 and 106. In some embodiments, lower limb interface straps are coupled to both shank links and thigh links. Each lower limb interface strap 135 and 136 comprises an element or combination of elements including, without limitation, straps, bars, c-shaped brackets, body cast, and elastomers. In operation, person 187 is coupled to (or wears) lower extremity exoskeleton 100 through upper body interface device 150 (a simple belt in the case of Figure 1) and by coupling to two leg supports 101 and 102 through lower limb interface straps 135 and 136.

[0054] Lower extremity exoskeleton 100, among other things, further comprises two hip actuators 145 and 146 which are configured to create torques between exoskeleton trunk 109 and leg supports 101 and 102. Right hip actuator 145 is shown in Figure 1 and left hip actuator 146 is shown in Figure 2. Lower extremity exoskeleton 100, among other components, further comprises at least one power unit 201 capable of providing power and is coupled to hip actuators 145 and 146. In some embodiments, only one power unit 201 provides power to hip actuators 145 and 146. In some embodiments, each hip actuator receives power from separate power units. Hip actuators 145 and 146 comprise any device or combination of devices capable of providing torque. Examples of hip actuators 145 and 146 include, without limitation, electric motors, including, without limitation, AC (alternating current) motors, brush-type DC (direct current) motors, brushless DC motors, electronically commutated motors (ECMs), stepping motors, hydraulic actuators, and pneumatic actuators and combinations thereof. In some embodiments, hip actuators 145 and 146 are powered by compressed gas. In some embodiments, exoskeleton trunk 109 is configured to hold a rear load behind person 187.

[0055] Figure 3 shows a configuration of lower extremity exoskeleton 100 where right leg support 101 and person's right lower limb 143 are in the stance phase, and left leg support 102 and person's left lower limb 144 are in the swing phase (left leg support 102 is not shown in Figure 3). Please note that exoskeleton trunk 109, in this embodiment, has been designed to extend along a person's back to hold a rear load 118. Further note that the following analysis clearly applies to the reverse configuration where right leg support 101 is in swing phase and left leg support 102 is in stance phase. Figure 4 shows three configurations of lower extremity exoskeleton 100 during a stance phase of right leg support 101 when a wearer is moving in a forward velocity direction 162. These configurations are shown by letters A (beginning of the single stance phase), B (somewhere in the middle of the single stance phase), and C (end of the single stance phase) of right leg support 101. Based on our observations, we have concluded that a person's upper body 149 and exoskeleton trunk 109 move with little rotation, which results in a relatively constant angle of the persons' upper body 149 and exoskeleton trunk 109 with respect to ground 130.

[0056] In operation, when right leg support 101 is in the stance phase and left leg support 102 is in the swing phase, power unit 201 is configured to cause the corresponding right hip actuator 145 of right leg support 101 to create a torque profile. Because of this torque profile, lower extremity exoskeleton 100 and person 187 travel from configuration A to configuration C (as shown in Figure 4), where right leg support 101 and person's right lower limb 143 are in the stance phase. The person's forward velocity direction 162 is generally parallel with ground 130. During the stance phase of right leg support 101, mechanical work $W_{ACTUATOR}$ is produced by right hip actuator 145 during the time that lower extremity exoskeleton 100 and person 187 travel from configuration A to configuration C. The total mechanical energy (kinetic energy plus potential energy) of right leg support 101 and exoskeleton trunk 109, including any load on exoskeleton trunk 109 (i.e., lower extremity exoskeleton 100 without the swinging left leg support 102), at configuration A is denoted by E_A . The total mechanical energy (kinetic energy plus potential energy) of right leg support 101 and exoskeleton trunk 109, including any load on exoskeleton trunk 109, (i.e., lower extremity exoskeleton 100 without the swinging left leg support 102) at configuration C is denoted by E_C . The energy wasted to friction and other losses during the stance phase of right leg support 101 are denoted by E_{LOSS} . If $W_{ACTUATOR}$

(mechanical work produced by right hip actuator 145) during the time that exoskeleton 100 travels from A to C is larger than $(E_C - E_A + E_{LOSS})$, then energy is transferred to person 187 from lower extremity exoskeleton 100 and is equal to $[W_{ACTUATOR} - (E_C - E_A + E_{LOSS})]$. If $W_{ACTUATOR}$ (i.e., mechanical work produced by right hip actuator 145) is smaller than the $(E_C - E_A + E_{LOSS})$, then energy is transferred from person 187 to lower extremity exoskeleton 100 and is equal to $[(E_C - E_A + E_{LOSS}) - W_{ACTUATOR}]$.

[0057] In summary:

If $W_{ACTUATOR} > (E_C - E_A + E_{LOSS})$, energy transferred to person 187 =
 $W_{ACTUATOR} - (E_C - E_A + E_{LOSS})$

[0058] If $W_{ACTUATOR} < (E_C - E_A + E_{LOSS})$, energy transferred from person 187 =
 $(E_C - E_A + E_{LOSS}) - W_{ACTUATOR}$

[0059] The required energy to move exoskeleton trunk 109 and right leg support 101 through the same trajectory from A to C when exoskeleton 100 is not worn by person 187 is $(E_C - E_A + E_{LOSS})$. This means that, to transfer energy to person 187 during the stance phase of right leg support 101, the energy supplied by power unit 201 to right hip actuator 145 of right leg support 101 must be larger than the energy required to move exoskeleton trunk 109 and right leg support 101 through the same trajectory from A to C when person 187 is not present. An incremental increase in mechanical energy transferred to person 187 during the stance phase will result in an incremental decrease in wearer's energy required for locomotion during the stance phase. Since the wearer's oxygen consumption is proportional with the energy expenditure, a decrease in the wearer's energy required for locomotion leads to less oxygen consumption by the wearer. One way to ensure mechanical energy is transferred to person 187 during the stance phase is to ensure that the torque profile of right hip actuator 145 of right leg support 101 is generally larger than the torque required to move exoskeleton trunk 109 and right leg support

101 through the same trajectory from A to C when person 187 is not present. This is described below with the help of Figure 4 and Figure 5.

[0060] Figure 5 shows a configuration of lower extremity exoskeleton 100 when right leg support 101 is in the stance phase (the same configuration as Figure 3 without the person drawn). Ground 130 has a slope of α with the horizontal ground 134. Person's upper body 149 is coupled to exoskeleton trunk 109 through upper body interface device 150. Based on our observations, we have noticed that person's upper body 149 and exoskeleton trunk 109 move with little rotation (compared to variation of hip angle λ). This means that the angle of the persons' upper body 149 and exoskeleton trunk 109 with respect to ground 130 remains relatively constant during the stance phase of right leg support 101. β_2 represents the angle between ground 130 and a line perpendicular to exoskeleton trunk 109, as shown in Figure 5. Based on the observations described above, β_2 is relatively constant in comparison to angle λ . During the stance phase, right thigh link 103 and right shank link 105 move very little or not at all relative to each other. This means right leg support 101 during the stance phase can be approximated like a rigid link swinging from position A to position C, as shown in Figure 4.

[0061] The Kinetic energy and the Potential energy of the system shown in Figure 4 are expressed by equations (1) and (2).

$$\text{Kinetic Energy} = \frac{(M_{TRUNK} L^2 + I)}{2} \dot{\beta}_1^2 \quad (1)$$

$$\text{Potential Energy} = (L M_{TRUNK} + R M_L) g \text{Cos} (\beta_1 + \alpha) + K \quad (2)$$

where:

- M_{TRUNK} : mass of exoskeleton trunk 109 and any attached load (e.g., rear load 118)
- M_L : mass of right leg support 101
- I : moment of inertia of right leg support 101 about point F
- L : length of right leg support 101 during stance as shown in Figure 5
- R : distance between the center of mass of right leg support 101 and point F (not shown in any figure)
- β_1 : the angle between ground 130 and a line normal to a line between points E and F (angle between force F_{E1} and ground 130)

- β_2 : the angle between ground 130 and a line normal to exoskeleton trunk 109 (angle between force F_{E2} and ground 130)
- α : ground slope (angle between ground 130 and horizontal ground 134)
- D distance between force F_{E2} and point F
- K A constant quantity

[0062] Writing a dynamic equation for the exoskeleton shown in Figure 5, using equations (1) and (2) and the Lagrangean equation, reveals that the torque provided by right hip actuator 145 between exoskeleton trunk 109 and right leg support 101, T_E , is equal to

$$T_E = (M_{TRUNK} L^2 + I) \ddot{\beta}_1 - (L M_{TRUNK} + R M_L) g \sin(\beta_1 + \alpha) + T_F + F_{E1} L \cos(\beta_2 - \beta_1) + F_{E2} D \quad (3)$$

where:

- F_{E1} force on exoskeleton trunk 109 from Person's upper body 149, assumed to be normal to the exoskeleton trunk 109 (positive value is shown in Figure 5)
- F_{E2} force on right leg support 101 from person right lower limb 143, assumed to be normal to a line between points E and F (positive value is shown in Figure 5)
- T_E : torque generated by right hip actuator 145 (positive value decreases angle λ)
- T_F : friction torque opposing the motion of right leg support 101 relative to exoskeleton trunk 109

Since β_2 is relatively constant in comparison to angle λ (exoskeleton trunk 109 does not rotate much) any interaction torque between person's upper body 149 and exoskeleton trunk 109 will not appear in equation (3). Only the interaction force (e.g., F_{E1} from person's upper body 149 onto exoskeleton trunk 109) affects the motion of exoskeleton trunk 109.

[0063] Rearranging the terms in equation (3) results in equation (4):

$$F_{E1} L \cos(\beta_2 - \beta_1) + F_{E2} D = T_E - (M_{TRUNK} L^2 + I) \ddot{\beta}_1 + (L M_{TRUNK} + R M_L) g \sin(\beta_1 + \alpha) - T_F \quad (4)$$

Assume for a moment that $F_{E2} = 0$. This assumption is only for the sake of understanding the conditions under which the wearer's energy expenditure is reduced. Later, this assumption will be removed. If $F_{E2} = 0$, equation (4) reduces to equation (5).

$$F_{E1} = \frac{T_E - (M_{TRUNK} L^2 + I) \ddot{\beta}_1 + (L M_{TRUNK} + R M_L) g \sin(\beta_1 + \alpha) - T_F}{L \cos(\beta_2 - \beta_1)} \quad (5)$$

We will consider three cases described below.

Case 1

[0064] As can be examined from equation (5), if the hip actuator torque T_E is such that:

$$T_E > (M_{TRUNK} L^2 + I) \ddot{\beta}_1 - (L M_{TRUNK} + R M_L) g \sin(\beta_1 + \alpha) + T_F \quad (6)$$

Then $F_{E1} > 0$. This means if the hip actuator torque is chosen such that it is larger than the addition of the inertial torque $(M_{TRUNK} L^2 + I) \ddot{\beta}_1$, gravitational torque, $-(L M_{TRUNK} + R M_L) g \sin(\beta_1 + \alpha)$, and the frictional torque T_F , then the force from person 187 on exoskeleton trunk 109 F_{E1} is positive. This means the force from person 187 on exoskeleton trunk 109 is in the direction shown in Figure 5 and the force on person 187 is generally along the direction of person's forward velocity direction 162. When the force on person 187 is in the direction along the person's forward velocity direction 162 (as shown in Figure 5), mechanical power is transferred from lower extremity exoskeleton 100 to person 187. Since the time integral of this mechanical power over the entire stance time is positive, mechanical energy is transferred to person 187. Mechanical energy transferred to person 187 during the stance phase will result in an incremental decrease in the wearer's energy required for locomotion during the stance phase. An incremental decrease in the wearer's energy required for locomotion leads to less oxygen consumption and a lower heart rate. The right hand side of inequality (6) represents the torque required to move exoskeleton trunk 109 and right leg support

101 in the stance phase through the same trajectory when exoskeleton 100 is not worn by person 187.

[0065] The situation of Case 1 (described above) shows that in order to reduce the wearer's energy expenditure while walking (and consequently oxygen consumption and heart rate), the torque profile from the hip actuator, when exoskeleton 100 is worn by person 187, should create a force from exoskeleton trunk 109 onto person's upper body along the person's forward velocity direction 162. This means that to reduce the wearer's energy expenditure while walking, person 187 should be pushed forwardly by exoskeleton trunk 109. The above Case 1 also indicates that to reduce the wearer's energy expenditure while walking (and consequently oxygen consumption and heart rate), the torque profile from the hip actuator, when exoskeleton 100 is worn by person 187, should be larger than the torque required to move exoskeleton trunk 109 and leg support 101 during stance phase through the same trajectory when not worn by person 187.

Case 2

[0066] As can be examined from equation (5), if the hip actuator torque, T_E , is such that:

$$T_E < (M_{TRUNK} L^2 + I) \ddot{\beta}_1 - (LM_{TRUNK} + RM_L) g \sin(\beta_1 + \alpha) + T_F \quad (7)$$

then $F_{E1} < 0$. This means that if the hip actuator torque is chosen so that it is smaller than the

addition of the inertial torque $(M_{TRUNK} L^2 + I) \ddot{\beta}_1$, gravitational torque,

$-(LM_{TRUNK} + RM_L) g \sin(\beta_1 + \alpha)$ and the frictional torque T_F , then the force on the

exoskeleton, F_{E1} , is negative. This means the force from person 187 on exoskeleton trunk 109 is in the opposite direction shown in Figure 5 and the force on person 187 is along the opposite direction of person's forward velocity direction 162. When the force on person 187 is in the opposite direction of the person's forward velocity direction 162, power is transferred from person 187 to lower extremity exoskeleton 100. Since the time integral of this mechanical power over the entire stance time is negative, mechanical energy is transferred from person 187 to lower extremity exoskeleton 100. Mechanical energy transferred from person 187 during the stance phase will result in an incremental increase in wearer's energy required for locomotion during the stance phase. An incremental increase in wearer's energy required for locomotion

leads to more oxygen consumption and higher heart rate for the wearer. The right hand side of inequality (7) represents the torque required to move exoskeleton trunk 109 and right leg support 101 during the stance phase through the same trajectory when not worn by person 187.

Case 3

[0067] If $T_E = (M_{TRUNK} L^2 + I) \ddot{\beta}_1 - (L_L M_{TRUNK} + D M_L) g \sin(\beta_1 + \alpha) + T_F$ (8)

Then $F_{E1} = 0$. This means if the hip actuator torque is chosen to be exactly equal to the summation of the inertial torque $(M_{TRUNK} L^2 + I) \ddot{\beta}_1$, gravitational torque, $-(L_L M_{TRUNK} + R M_L) g \sin(\beta_1 + \alpha)$, and the frictional torque T_F , then the interaction force between person 187 and the exoskeleton, F_E is zero. This means the person does not feel the exoskeleton and therefore the power person 187 is spending is the same as what he/she would be spending when walking without any exoskeleton. This means no energy is transferred between the exoskeleton and its wearer. In this case, the wearer's energy expenditure neither increases nor decreases.

[0068] If $F_{E2} \neq 0$, the left side of equation (9) represents the torque from person 187 onto lower extremity exoskeleton 100 about point F:

$$F_{E1} L \cos(\beta_2 - \beta_1) + F_{E2} D = T_E - (M_{TRUNK} L^2 + I) \ddot{\beta}_1 + (L M_{TRUNK} + R M_L) g \sin(\beta_1 + \alpha) - T_F \quad (9)$$

[0069] The three cases described previously for equation (5) can be repeated for equation (9) as described below.

Case 1

[0070] As can be examined from equation (9) if hip actuator torque T_E is such that:

$$T_E > (M_{TRUNK} L^2 + I) \ddot{\beta}_1 - (L M_{TRUNK} + R M_L) g \sin(\beta_1 + \alpha) + T_F \quad (10)$$

Then $F_{E1} L \cos(\beta_2 - \beta_1) + F_{E2} D > 0$. This means if the actuator torque is chosen such that it is larger than the summation of the inertial torque $(M_{TRUNK} L^2 + I) \ddot{\beta}_1$, gravitational torque $-(L M_{TRUNK} + R M_L) g \sin(\beta_1 + \alpha)$, and the frictional torque T_F , then the torque from person 187 onto lower extremity exoskeleton 100 about point F,

$F_{E1} L \cos(\beta_2 - \beta_1) + F_{E2} D$, is positive. This means that the torque from person 187 on lower extremity exoskeleton 100 is in the counterclockwise direction and the torque on person 187 is in the clockwise direction and along the person's forward velocity direction 162. When the torque on person 187 is along the person's forward velocity direction 162 (as shown in Figure 5), power is transferred from lower extremity exoskeleton 100 to person 187. Since the time integral of this power over the entire stance time is positive, mechanical energy is transferred to person 187 from lower extremity exoskeleton 100.

[0071] The situation of Case 1 (described above) teaches that to reduce the wearer's energy expenditure while walking (and consequently oxygen consumption and heart rate), the torque profile from hip actuator when exoskeleton 100 is worn by person 187 should create a clockwise torque from exoskeleton 100 onto person 187 about point F. This means that to reduce the wearer's walking energy expenditure, person 187 should be pushed forwardly by exoskeleton 100. The above Case 1 also teaches that to reduce the wearer's energy expenditure while walking (and consequently oxygen consumption and heart rate), the torque profile from hip actuator when exoskeleton 100 is worn by person 187 should be larger than the torque required to move exoskeleton trunk 109 and leg support in stance phase through the same trajectory when not worn by person 187.

Case 2

[0072] As can be examined from equation (9) if the hip actuator torque, T_E is such that:

$$T_E < (M_{TRUNK} L^2 + I) \ddot{\beta}_1 - (L M_{TRUNK} + R M_L) g \sin(\beta_1 + \alpha) + T_F \quad (11)$$

Then $F_{E1} L \cos(\beta_2 - \beta_1) + F_{E2} D < 0$. This means that if the hip actuator torque is chosen such that it is smaller than the summation of the inertial torque $(M_{TRUNK} L^2 + I) \ddot{\beta}_1$, gravitational torque $-(L M_{TRUNK} + R M_L) g \sin(\beta_1 + \alpha)$, and the frictional torque T_F , then the torque from

person 187 onto lower extremity exoskeleton 100 about point F, $F_{E1} L \cos(\beta_2 - \beta_1) + F_{E2} D$, is negative. This means that the torque from person 187 on lower extremity exoskeleton 100 about point F is in the clockwise direction and the torque on person 187 is opposite to the person's forward velocity direction 162 (counterclockwise direction). When the torque on person 187 is opposite to the person's forward velocity direction 162 (as shown in Figure 5), power is transferred from person 187 to lower extremity exoskeleton 100. If the time integral of this power over the entire stance time is negative, mechanical energy is transferred to lower extremity exoskeleton 100 from person 187.

Case 3

[0073] As can be examined from equation (9), if the hip actuator torque T_E is such that:

$$T_E = (M_{TRUNK} L^2 + I) \ddot{\beta}_1 - (LM_{TRUNK} + RM_L) g \sin(\beta_1 + \alpha) + T_F \quad (12)$$

Then $F_{E1} L \cos(\beta_2 - \beta_1) + F_{E2} D = 0$. This means the torque from person 187 onto lower extremity exoskeleton 100 about point F is zero. If the time integral of this power over the entire stance time is zero, no mechanical energy is transferred between lower extremity exoskeleton 100 and person 187. In this case, the wearer's energy expenditure neither increases nor decreases.

Remark 1

[0074] Since exoskeleton trunk 109 rotates very little (i.e., β_2 is relatively constant in comparison to angle λ) and the summation of torques on exoskeleton trunk 109 is zero, equation (13) states that the torque on exoskeleton trunk 109 from person's upper body cancels the algebraic summation of the reaction torques from hip actuators 145 and 146.

$$T_P = T_E - T_S - T_G \quad (13)$$

where:

T_P : Torque on exoskeleton trunk 109 from person's upper body 149

T_E : Torque on exoskeleton trunk 109 from the leg support in stance phase

T_S : Torque on exoskeleton trunk 109 from the leg support in swing phase (T_S is positive when it tries to turn the exoskeleton trunk in the CW direction around point E)

T_G : Torque due to the weight of the exoskeleton trunk and any attached load around point E (T_G is positive when it tries to turn the exoskeleton trunk in the CW direction around point E)

[0075] If the leg support that is in the swing phase swings by force of the person, T_S is zero. If the leg support that is in the swing phase swings by power of the hip actuator, T_S is not zero. To reduce T_p (the torque on exoskeleton trunk 109 from person's upper body 149), equation (13) suggests that the leg support in the swing phase be powered (i.e., T_S should be nonzero). This means the hip actuator of the swinging leg should impose a torque in the opposite direction of the hip torque in the stance phase, to reduce the torque the person's upper body 149 supports.

Remark 2

[0076] In general, any lower extremity exoskeleton, regardless of the number of actuators and their locations on the exoskeleton system, decreases its wearer's energy expenditure as long as the force from the exoskeleton trunk onto the wearer's upper body is along the person's forward velocity. For example one can install at least one actuator on each exoskeleton ankle and provide a force from the exoskeleton trunk onto the wearer's upper body along the person's forward velocity. When the force on the person is in the direction along the person's forward velocity, regardless of the exoskeleton architecture, mechanical power is transferred from the exoskeleton to the person. Mechanical energy transferred to the person during the stance phase, will result in an incremental decrease in wearer's energy required for locomotion. An incremental decrease in wearer's energy required for locomotion leads to less oxygen consumption and lower heart rate.

Remark 3

[0077] The above analysis shows how a lower extremity exoskeleton can reduce its wearer's energy expenditure during the stance phase. An exoskeleton system that has two arms, in addition to two lower extremities, can also reduce its wearer's energy expenditure as long as the lower extremities of the exoskeleton function according to the teaching described above.

[0078] In some embodiments, hip actuators 145 and 146 each comprise a hydraulic hip actuator. In these embodiments, at least one power unit 201 provides hydraulic power to hip actuators 145 and 146. In some embodiments, only one power unit 201 provides hydraulic power to hydraulic hip actuators 145 and 146. In some embodiments, each hydraulic hip actuator receives hydraulic power from separate power units. In some embodiments, power unit 201, as shown in Figure 6, among other components, comprises at least one hydraulic circuit 194 connectable to at least one of hydraulic hip actuators 145 and 146, and modulates the hydraulic fluid flow to and from hydraulic hip actuators 145 and 146. In some embodiments, hydraulic hip actuators 145 and 146 are hydraulic piston-cylinders. In some embodiments, hydraulic hip actuators 145 and 146 are rotary hydraulic vane type hydraulic actuators. In some embodiments, as shown in Figure 6, hydraulic circuit 194, among other components, comprises a hydraulic pump 240 coupled to an electric motor 241.

[0079] By controlling electric motor 241, a torque profile can be implemented on hip actuators 145, 146 to satisfy the inequalities (6) or (10). Since the torque is a function of the hydraulic pressure and the hip actuator geometry, the hip actuator torque can be controlled by creating a closed loop control on the electric motor 241 by measuring the hydraulic pressure as the feedback variable. In some embodiments, the hip actuator torque can be controlled to satisfy inequalities (6) or (10) by creating a closed loop control on the electric motor 241 by measuring the hip actuator torque or force as the feedback variable.

[0080] In some embodiments, as shown in Figure 7, hydraulic circuit 194, among other components, further comprises an actuated flow restricting valve 200 capable of redirecting hydraulic fluid from hydraulic right hip actuator 145 around hydraulic pump 240. In operation, when hydraulic pump 240 is in use, actuated flow restricting valve 200 is closed. In operation, when it is necessary to reduce the power consumption, electric motor 241 will not be powered. In that case, actuated flow restricting valve 200 may be opened so that unpowered electric motor 241 and pump 240 will not impede the motion of right hip actuator 145.

[0081] In some embodiments, as shown in Figure 8, hydraulic circuit 194, among other components, further comprises a three-way valve 242. In operation, while power unit 201 provides hydraulic power to right hip actuator 145, three-way valve 242 connects hydraulic right hip actuator 145 to hydraulic pump 240. In operation, when it is necessary to reduce the power consumption, electric motor 241 will not be powered. In that case three-way valve 242 may redirect hydraulic fluid from hydraulic right hip actuator 145 around hydraulic pump 240 so that unpowered electric motor 241 and pump 240 will not impede the motion of right hip actuator 145.

[0082] Figures 6, 7, and 8 show only those components that are needed to accomplish the described task associated with reducing the wearer's energy expenditure. An ordinary skilled in the art can realize that a hydraulic circuit usually has many other components associated with safety and other features not discussed here.

[0083] Hydraulic hip actuators 145 and 146 comprise any hydraulic actuators or combination of actuators capable of converting pressurized hydraulic fluid into force or torque. Examples of hydraulic actuators include, without limitation, linear hydraulic piston-cylinders, rotary hydraulic actuators, rack-and-pinion-type rotary actuators and rotary hydraulic vane type actuators where pressurized hydraulic fluid, by pushing against moving surfaces, generate force or torque.

[0084] Actuated flow restricting valve 200 comprises any valve or combination of valves capable of performing the indicated functions. Examples of actuated flow restricting valve 200 include, without limitation, flow control valve, pressure control valve, actuated needle valves, solenoid valves and on-off valves. Hydraulic pump 240 comprises any pump or combination of pumps capable of performing the indicated functions. Examples of hydraulic pump 240 include, without limitation gear pump, vane pump, axial piston pump, and radial piston pump.

[0085] Electric motor 241 comprises any device or combination of devices capable of driving hydraulic pump 240. Examples of motor 241 include, without limitation, electric motors, including, without limitation, AC (alternating current) motors, brush-type DC (direct current) motors, brushless DC motors, electronically commutated motors (ECMs), stepping motors, and any combination thereof. Although we state that electric motor 241 turns hydraulic pump 240, one skilled in the field can realize that both motor 241 and hydraulic pump 240 may have other types of non-rotational couplings, such as reciprocating linear motion.

[0086] In some embodiments of the invention, lower extremity exoskeleton 100 comprises at least one signal processor 159 capable of controlling hip actuators 145 and 146. Signal processor 159 comprises an element or combination of elements selected from a group consisting of analog devices; analog computation modules; digital devices including, without limitation, small-, medium-, and large-scale integrated circuits, application specific integrated circuits, programmable gate arrays, programmable logic arrays; electromechanical relays, solid state switches, MOSFET switches and digital computation modules including, without limitation, microcomputers, microprocessors, microcontrollers, and programmable logic controllers. In operation, to decrease the wearer's energy expenditure, signal processor 159 computes a torque profile that satisfies inequalities (6) or (10). This torque is then produced by hip actuators 145 and 146 during their respective stance phase.

[0087] In some embodiments where hip actuators 145 and 146 are hydraulic actuators, signal processor 159, by controlling electric motor 241, computes a torque profile as described in inequalities (6) or (10) for hip actuators 145 and 146. Since the torque is a function of the hydraulic pressure and the hip actuator geometry, the hip actuator torque in some embodiments, as shown in Figure 8, can be controlled by creating a closed loop control on the electric motor 241 by measuring the hydraulic pressure as the feedback variable. Pressure sensor 236 measures the pressure of the hydraulic fluid and signal processor 159 ensures the pressure is regulated to the desired value. In some embodiments, the hip actuator torque can be controlled to satisfy inequalities (6) or (10) by creating a closed loop control on the electric motor 241 by measuring the hip actuator torque or force as the feedback variable. A skilled control engineer will be able to develop a controller as shown in Figure 44 to satisfy inequalities (6) or (10).

[0088] Signal processor 159, in some embodiments, is mounted to exoskeleton trunk 109. In some embodiments, signal processor 159 is located inside power unit 201. Signal processor 159 may be a simple mechanical device consisting of a hydraulic or pneumatic circuit, or it may include electronic elements as well.

[0089] Figure 5 shows that in order to reduce a wearer's energy expenditure, the force on person 187 should be along the person's forward velocity direction 162. This can be done either in a closed loop fashion or in an open loop fashion. In the closed loop fashion, one can develop a control algorithm in signal processor 159 to ensure that a force is always imposed on person 187 along the person's forward velocity direction 162. In some embodiments, this can be done by

creating a closed loop force controller on person 187. The closed loop controller measures the force between person's upper body and exoskeleton 100 and creates a torque for the hip actuator in the stance phase to ensure that this force on the person is always pushing the person forward. In some embodiments, the force between upper body interface device 150 and human upper body is measured as a feedback variable and controlled to be along the person's forward velocity direction 162. Figure 44 shows an embodiment of the control block diagram where the force on the wearer's upper body is measured and compared with a desired force onto the wearer's upper body. To reduce the wearer's energy expenditure, this closed loop controller ensures that the force on the wearer's upper body follows the desired force along the wearer's forward velocity. This means that, to reduce the wearer's energy expenditure, the controller ensures the wearer's upper body is pushed forwardly.

[0090] In some embodiments, as shown in Figure 9, lower extremity exoskeleton 100 comprises at least one stance sensor per leg support, which produces a stance signal indicating whether or not the leg support is in the stance phase. In the embodiment of Figure 9, leg support 101 includes stance sensor 160, which produces a stance signal 219. Stance signal 219 indicates whether leg support 101 is in the stance phase. Similarly, leg support 102 includes stance sensor 161, which produces a stance signal 220. Stance signal 220 indicates whether leg support 102 is in the stance phase. In some embodiments, stance sensors 160 and 161 are coupled to supports 101 and 102, respectively. In operation, signal processor 159 computes a torque profile according to inequalities (6) or (10), depending on whether stance signals 219 and 220 indicate if leg supports 101 and 102 are in either the stance phase or in the swing phase. In some embodiments, stance sensors 160 and 161 are located inside or within the soles of the human shoes (or boots). In some embodiments, stance sensors 160 and 161 are located inside the human shoe or boots. In some embodiments stance sensors 160 and 161 are connectable to the bottom of the human shoes or boots.

[0091] Further discussing the geometry of the exoskeleton shown in Figure 1, in some embodiments, as shown in Figure 1, exoskeleton trunk 109, in addition to other components, comprises two hip links, 114 and 115, rotatably connectable to thigh links 103 and 104 at hip flexion-extension joints 125 and 126, allowing for the flexion and extension of leg supports 101 and 102 about hip flexion-extension axes 151 and 152 respectively. In some embodiments, hip links 114 and 115 are rotatably connected to each other at hip abduction-adduction joint 113,

allowing for abduction and/or adduction of leg supports 101 and 102. Abduction and adduction of leg supports 101 and 102 are shown by arrows 217 and 218, respectively.

[0092] Figure 10 shows another embodiment of the invention where exoskeleton trunk 109 further comprises a hip resilient element 116 configured to apply a torque between hip links 114 and 115. Examples of a hip resilient element include, without limitation, extension spring, compression spring, leaf spring, gas spring, air spring, rubber, elastomer, surgical tube, bungee cord or combinations thereof. The stiffness of hip resilient element 116 may be chosen such that its force generally holds up the weight of the leg supports 101 or 102 during swing phase.

[0093] In some embodiments, exoskeleton trunk 109 is configured to hold a rear load 118 behind person 187. Figure 11 is a perspective drawing wherein exoskeleton trunk 109, among other components, further comprises a connecting bracket 117 configured to transfer the weight of a rear load 118 to exoskeleton trunk 109. In some embodiments, as shown in Figure 12, connecting bracket 117 further comprises extension frames 119 and 120 configured to hold front load 154 in front of person 187. Examples of rear load 118 and front load 154 include without limitation, backpacks, baby carriers, food containers, sacks, boxes, water jugs, tool boxes, barrels, ammunition, weaponry, bedding, first aid supplies, golf bags, mail bags, cameras, steady cams, leaf blowers, compressors, electromechanical machineries and combinations thereof. In some embodiments, rear load 118 and/or front load 154 are another person being carried by person 187. In some embodiments, exoskeleton trunk 109 supports a portion of the weight of person 187 through human upper body interface device 150.

[0094] Some embodiments, as shown in Figure 13, may also include a hip abduction stop 211 which limits or prevents hip links 114 and 115 from abducting with respect to each other. In the particular embodiment shown in Figure 13, hip abduction stop 211 is created using a wire rope. Wire rope hip abduction stop 211 prevents abduction of leg supports 101 and 102 past some angle from occurring but allows adduction of leg supports 101 and 102.

[0095] In accordance with another embodiment of the invention, Figure 14 is a perspective drawing where exoskeleton trunk 109 includes two hip links 114 and 115 rotatably connectable to thigh links 103 and 104, allowing for flexion and extension of leg supports 101 and 102 relative to exoskeleton trunk 109, wherein hip links 114 and 115 are compliantly connected to each other, allowing for abduction and/or adduction of leg supports 101 and 102.

In the example shown in Figure 14, this is accomplished by a leaf spring acting as hip resilient element 153.

[0096] In accordance with another embodiment of the invention, Figure 15 is a perspective drawing wherein exoskeleton trunk 109, among other components, further comprises a connecting bracket 117 configured to transfer the weight of a rear load 118 to exoskeleton trunk 109. Exoskeleton trunk 109 further comprises two hip links 114 and 115 rotatably connectable to thigh links 103 and 104, allowing for flexion and extension of leg supports 101 and 102 relative to exoskeleton trunk 109. Hip links 114 and 115 are rotatably connected to connecting bracket 117 via two hip abduction-adduction joints 176 and 177, and rotate about two hip abduction-adduction axes 178 and 179. In some embodiments, hip abduction-adduction axes 178 and 179 are generally parallel to each other. In some embodiments, hip abduction-adduction joints 176 and 177 coincide with each other. Furthermore, in some embodiments, as shown in Figure 9 through 12, hip abduction-adduction joints 176 and 177 coincide with each other, forming hip abduction-adduction joint 113, and hip abduction-adduction axes 178 and 179 become one hip abduction-adduction axis 112.

[0097] In some embodiments, as shown in Figure 16, exoskeleton trunk 109 further comprises abduction-adduction hip resilient elements 121 and 122, configured to apply torques between hip links 114 and 115 and connecting bracket 117. Examples of hip abduction-adduction resilient elements include, without limitation, extension spring, compression spring, gas spring, air spring, rubber, surgical tube, leaf springs, bungee cord and combinations thereof. The stiffness of abduction-adduction hip resilient elements 121 and 122 may be chosen such that its force generally holds up the weight of the leg supports 101 or 102 during swing phase and aid the person in keeping the load oriented vertically while walking.

[0098] In some embodiments, as shown in Figure 17, hip links 114 and 115 are compliantly connected to connecting bracket 117. In the embodiment shown in Figure 17, this is accomplished by a hip resilient element 153, which in this case is a leaf spring. In some embodiments, as shown in Figure 17, exoskeleton trunk 109 comprises a backpack frame 180 that allows a backpack to be coupled to lower extremity exoskeleton 100. In some embodiments, backpack frame 180 is connected to connecting bracket 117. The upper body interface devices 150 (such as a belt and shoulder straps) have been omitted in this figure for clarity; however,

upper body interface devices 150, in some embodiments, can be coupled to backpack frame 180 or connecting bracket 117.

[0099] In accordance with another embodiment, Figure 18 is a perspective drawing wherein leg supports 101 and 102 further include thigh abduction-adduction joints 123 and 124, which are configured to allow abduction and/or adduction of leg supports 101 and 102 about thigh abduction-adduction axes 202 and 203, respectively. In some embodiments, thigh abduction-adduction joints 123 and 124 are located below hip flexion-extension joints 125 and 126. These joints are shown in greater detail in Figure 19, which is a partial view of the same embodiment of Figure 18.

[0100] In some embodiments, as shown in Figure 19, right leg support 101 includes a thigh adduction stop 185, which limits or prevents right thigh link 103 from adducting at thigh abduction-adduction joints 123 and 124. Abduction and adduction of right leg support 101 are shown by arrows 227 and 228, respectively. In the particular embodiment shown in Figure 19, right thigh abduction-adduction joint 123 includes a thigh adduction stop 185, which bears on a thigh stop surface 186. Thigh adduction stop 185 limits the adduction of thigh abduction-adduction joint 123. The unrestricted adduction of right thigh abduction-adduction joint 123, during stance phase, would cause right hip link 114 to move downwardly along arrow 204 during stance phase, thereby dropping (lowering) the load. Such abduction-only joints for thigh abduction-adduction joints 123 and 124 are useful in allowing the person to squat naturally. In some embodiments, like the one shown in Figures 18 and 19, such abduction joints are generally located below hip flexion-extension joints 125 and 126.

[0101] In some embodiments, as shown in Figures 18 and 19, leg supports 101 and 102 further include leg rotation joints 127 and 128 configured to allow rotation of leg supports 101 and 102. Leg rotation joints 127 and 128 are generally located above knee joints 107 and 108. Lines 164 and 165 represent the leg rotation axes of leg rotation joints 127 and 128. In Figures 19 and 20, this is accomplished by providing for a sliding contact between the right hip rotation shaft 166 and the right hip rotation journal 168. The parts included in the joint which prevent it from pulling apart have been omitted for simplicity, but one skilled in the art will note that there are many ways of retaining such shafts in such journals.

[0102] In some embodiments, as shown in Figure 20, leg rotation joints 127 and 128 further comprise a rotation resilient element 129. This rotation resilient element acts as a torsion

spring and provides a restoring torque, which generally restores the leg support back to the neutral position shown in Figure 18 from an extended position (not shown). Rotation resilient element 129 can be constructed in many ways, with the particular cross section shown in Figure 20 being advantageous when using an elastomeric material to construct the element. Rotation resilient element 129 is shown partially deflected for illustration purposes.

[0103] Also, in some embodiments, as shown in Figure 19 and Figure 20, leg supports 101 and 102 further comprise compression-elongation mechanisms 131 and 132, configured to change the distance between exoskeleton trunk 109 and the respective knee flexion-extension joints 107 and 108. In some embodiments, compression-elongation mechanisms 131 and 132 allow for changes in the distance between the hip flexion-extension joints 125 and 126 and the respective flexion-extension knee joints 107 and 108. The compression-elongation mechanisms contract by right hip rotation shaft 166 sliding further into the right hip rotation journal 168 (shown for right leg 101 only). The leg rotation resilient element 129 is allowed to slide into a clearance cavity 170. In some embodiments, compression-elongation mechanism 131 and 132 further comprise a right leg compression-elongation resilient element 133. This leg compression-elongation resilient element acts as a spring and provides a restoring force, which generally restores the leg support back to a neutral configuration from an extended configuration. In the embodiment of Figure 20, this is illustrated by a helical compression spring.

[0104] In some embodiments, as shown in Figure 18, exoskeleton hip mechanism cover 171 may cover some components of exoskeleton, including parts of hip links 114 and 115, hip resilient element 116 or abduction-adduction hip resilient elements 121 and 122. In some embodiments, as shown in Figure 18, leg supports 101 and 102 further comprise exoskeleton feet 139 and 140, coupled to shank links 105 and 106, respectively, allowing the transfer of forces from shank links 105 and 106 to the ground. In operation, exoskeleton feet 139 and 140 are configurable to be coupled to the feet of person 187. In some embodiments, as shown in Figure 18, the coupling to person's feet is accomplished by using clam-shell type bindings 205 and 206, as sometimes found on modern snow shoes. However, there are a great number of methods to make such a connection, as can be seen on different types of snow skis, snowboards, snowshoes and other such devices. In some embodiments, as shown in Figure 21, exoskeleton feet 139 and 140 comprise exoskeleton shoes 188 and 189, wearable by person 187, thereby allowing exoskeleton feet 139 and 140 to couple to the feet of person 187. In some embodiments, as

shown in Figure 22, exoskeleton feet 139 and 140 comprise exoskeleton insoles 157 and 158, insertable inside the person's shoes, allowing exoskeleton feet 139 and 140 to couple to the feet of person 187. Insoles 157 and 158 are flexible and therefore can bend to match the curvature of the human foot during maneuvers such as squatting. Also, the insole side supports 212 are either compliant or configured to include degrees of freedom to mimic the movement of the human ankle.

[0105] In some embodiments, as shown in Figure 18, exoskeleton feet 139 and 140 are compliantly coupled to shank links 105 and 106. This is accomplished using ankle resilient elements 181 and 182. Figure 23 shows a close-up view of right exoskeleton foot 139. In this example, right ankle resilient element 181 is constructed of a metal ball-and-socket joint 231 surrounded by a doughnut shaped elastomer element 230, which creates compliance in all directions of rotations.

[0106] In some embodiments, exoskeleton feet 139 and 140 rotate about two plantar-dorsi flexion axes relative to shank links 105 and 106. Figure 24 shows an embodiment of this type of exoskeleton where right ankle plantar-dorsi flexion axis 172 is generally parallel to the plantar-dorsi flexion axis in the human ankle. In some embodiments, each leg support further comprises at least one ankle plantar-dorsi flexion resilient element 141 resisting the rotation of respective exoskeleton foot about right ankle plantar-dorsi flexion axis 172.

[0107] In some embodiments, exoskeleton feet 139 and 140 rotate about two ankle abduction-adduction axes relative to shank links 105 and 106. Figure 25 shows an embodiment of this type of exoskeleton where right ankle abduction-adduction axis 174 is generally parallel to the abduction-adduction axis in the human ankle. In some embodiments, each leg support further comprises at least one ankle abduction-adduction resilient element 142 resisting the rotation of right exoskeleton foot 139 about right ankle abduction-adduction axis 174, as depicted in Figure 25.

[0108] In some embodiments, exoskeleton feet 139 and 140 rotate about an ankle rotation axes 147 relative to shank links 105 and 106. In some embodiments, as shown in Figure 26, this is accomplished using a shank rotation joint 207, which functions similar to leg rotation joint 127. Figure 26 shows an embodiment of this type of exoskeleton where right ankle rotation axis 147 is generally parallel to the rotation axis in the human ankle. In some embodiments,

resilient elements can be included in the ankle to resist the rotation of right exoskeleton foot 139 about right ankle rotation axis 147.

[0109] Figure 27 shows an embodiment of the embodiment of Figure 5 where right exoskeleton foot 139 has been added. The analysis described above on the power transfer between person 187 and lower extremity exoskeleton 100 applies to the exoskeleton in Figure 27, if one assumes the rotation of right leg support 101 about point F in Figure 5 occurs at right ankle point 155.

[0110] In some embodiments, as shown in Figure 28, stance sensors 160 and 161 are integrated into exoskeleton feet 139 and 140. In some embodiments, as shown in Figure 28, stance sensor 160 is a pressure sensor measuring the pressure in a media 191 trapped in a stance sensor cavity 192 inside right exoskeleton foot 139. Figure 23 shows an embodiment where a tube is used as a stance sensor cavity 192. In some cases, the stance signals 219 and 220 may take the form of the media 191 itself transported in a small tube from stance sensor cavity 192 to signal processor 159.

[0111] Figure 29 shows another embodiment wherein stance sensor 160 is a force sensor connectable to right exoskeleton foot 139. In some embodiments, as shown in Figure 30, stance sensor 160 is located inside the human shoe like an insole and its output signal represents the force on the bottom of the human foot. This type would be particularly useful in embodiments of the invention such as those shown in Figure 21 or 22. In some embodiments, as shown in Figure 31, stance sensor 160 is connected to the bottom of the human shoe and senses the force on the bottom of the human foot. In some embodiments, as shown in Figure 32, stance sensor 160 is located inside the human shoe sole and senses the force on the bottom of the human foot. In some embodiments, stance sensors 160 and 161 are coupled to shank links 105 and 106, respectively. Stance sensor 160 comprises any sensor or combination of sensors capable of performing the indicated functions. Examples of stance sensor 160 include, without limitation, force sensors, strain-gage based force sensors, piezoelectric force sensors, force sensing resistors, pressure sensors, switches, tape switches and combinations thereof. In some embodiments stance sensor 160 is a switch that represents the existence of a force greater than some threshold force on the bottom of the foot of person 187.

[0112] Also shown in Figure 33 is an additional thigh abduction-adduction joint 235, which is included in order to allow the leg to be stowed in a vertical position when the

exoskeleton is not in use but needs to be carried. Right leg support 101 can abduct along an additional right thigh abduction-adduction axis 237 (depicted in Figure 34). This may be desirable if person 187 no longer has a very heavy load to carry but needs to transport lower extremity exoskeleton 100. In that case, the operator may unstrap the exoskeleton's right leg support 101 and swing the leg outward from his or her body until the right exoskeleton foot 139 is in the air over the operator's head. Then, by bending the right knee joint 107 and/or rotating the right leg rotation joint 127, the leg can be positioned such that it stows behind the operator, as shown in Figure 33. This is possible because the right thigh abduction-adduction joint 123 and the additional right thigh abduction-adduction joint 235 each allow for a rotation of approximately ninety degrees about the right thigh abduction-adduction axis 202 and the additional right thigh abduction-adduction axis 237, respectively. The total abduction therefore possible is over 180 degrees. This could be accomplished with one thigh abduction-adduction joint which has 180 degrees of travel, but designing such a joint would cause the designer to move the pivot point of the joint outward from the operator a great deal, which would result in a wider exoskeleton design. This is undesirable but is a viable alternative design.

[0113] In some embodiments, lower extremity exoskeleton 100 (as shown in Figure 1) comprises two torque generators 110 and 111, which are configured to allow flexion of knee joints 107 and 108 during swing phase and resist flexion of knee joints 107 and 108 during stance phase, thereby allowing the lower extremity exoskeleton 100 to bear a load and transfer the load forces (e.g., load weight) to the ground. In some embodiments, torque generators 110 and 111 are hydraulic torque generators. In accordance with some embodiments, torque generators 110 and 111 are hydraulic piston cylinders where the motion of the piston relative to the cylinder creates hydraulic fluid flow into or out of the cylinder. In operation, the hydraulic fluid flow into or out of the cylinder may be controlled by a hydraulic valve. The smaller the hydraulic valve orifice size is, the more force is needed to move the piston relative to the cylinder with a given speed. In other words, the more damped the motion of the piston relative to the cylinder needs to be, the smaller the hydraulic valve orifice size should be. If the hydraulic valve orifice size is large, then a small force is required to move the piston relative to the cylinder. Here, impedance of hydraulic torque generators 110 and 111 is defined as the ratio of the required force over the velocity in frequency domain. With this definition, the smaller the hydraulic valve orifice size is, the larger the impedance of the hydraulic torque generator will be.

[0114] In some embodiments, as shown in Figure 35, torque generators 110 and 111 are hydraulic rotary dampers where the torque produced may be controlled by a hydraulic valve. The smaller the hydraulic valve orifice size is, the more torque is needed to rotate the hydraulic rotary damper with a given speed. In other words, the more damped the rotation of the hydraulic rotary damper needs to be, the smaller the hydraulic valve orifice size should be. Here impedance of hydraulic rotary dampers 110 and 111 is defined as the ratio of the required torque over the angular velocity in frequency domain. With this definition, the smaller the hydraulic valve orifice size is, the larger the impedance of the hydraulic rotary damper will be.

[0115] In some embodiments, torque generators 110 and 111 are friction brakes where one can control the resistive torque on knee joints 107 and 108 by controlling the friction torques. In other embodiments, torque generators 110 and 111 are viscosity based friction brakes where one can control the resistive torque on knee joints 107 and 108 by controlling the viscosity of the fluid. In other embodiments, torque generators 110 and 111 are Magnetorheological Fluid Devices where one can control the resistive torque on knee joints 107 and 108 by controlling the viscosity of the Magnetorheological Fluid. One skilled in the art realizes that any of the above devices can be mounted in the invention to function in the same way as the hydraulic rotary dampers shown in Figure 35.

[0116] In some embodiments, signal processor 159 is configured to control torque generators 110 and 111. Signal processor 159 controls the resistance to flexion in knee joints 107 and 108 as a function of stance signals 219 and 220. For example, when right stance sensor 160 detects the stance phase in right leg support 101, signal processor 159 will increase the impedance of right torque generator 110 so that right knee joint 107 resists flexion. Conversely, when right stance sensor 160 detects the swing phase in right leg support 101, signal processor 159 will decrease the impedance of right torque generator 110 so that no resistance to flexion occurs in right knee joint 107. Similarly, when stance sensor 161 detects the stance phase in left leg support 102, signal processor 159 will increase the impedance of left torque generator 111 so that left knee joint 108 resists flexion. Conversely, when left stance sensor 161 detects the swing phase in left leg support 102, signal processor 159 will decrease the impedance of left torque generator 111 so that no resistance to flexion occurs in left knee joint 108. Large impedances of torque generators 110 and 111 lead to large resistance of knee joints 107 and 108 to flexion needed during stance phase. Conversely, small impedances of torque generators 110 and 111

lead to small resistance of knee joints 107 and 108 to flexion needed during swing phase. In some embodiments, signal processor 159 is mounted to torque generators 110 and 111.

[0117] In practice, the resistance to flexion in knee joints 107 and 108 during the stance phase need not be constant. In some embodiments, the resistance to flexion at the beginning of the stance phase (approximately the first 20% of the stance cycle) may be extremely high (i.e., knee joints 107 and 108 will be locked in the beginning of stance). During the middle of the stance phase (approximately the 20% to 80% of the stance cycle), the resistance to flexion may be lower, but high enough that knee joints 107 and 108 will only undergo a few degrees of flexion. During the end of the stance cycle (approximately the last 20% of the stance cycle), the resistance to flexion may be low, but still nonzero, so that knee joint 107 and 108 may flex in preparation for the swing cycle.

[0118] In some embodiments, each of leg supports 101 and 102 further comprises a torque generator wherein each torque generator comprises a hydraulic piston-cylinder. In these embodiments, power unit 201, among other components, comprises at least one knee hydraulic circuit 190 connectable to torque generators 110 and 111. Knee hydraulic circuit 190 is configured to modulate the fluid flow to torque generators 110 and 111. In operation (using right leg support 101 as an example), when right leg support 101 is in a stance phase, knee hydraulic circuit 190 is configured to restrict the fluid flow to right torque generator 110 of right leg support 101. Knee hydraulic circuit 190, when leg support 101 is in a swing phase, is configured to allow the fluid flow to right torque generator 110 of right leg support 101. In other words, knee hydraulic circuit 190, when leg support 101 is in a stance phase, is configured to increase the resistance to flexion of right knee joint 107. Knee hydraulic circuit 190, when leg support 101 is in a swing phase, is configured to decrease the resistance to flexion of right knee joint 107. The above behavior is also true for leg support 102. In some embodiments of the invention, lower extremity exoskeleton 100 further comprises at least one stance sensor 160 and 161 for each of leg supports 101 and 102. Stance sensors 160 and 161 produce stance signals 219 and 220, indicating whether leg supports 101 and 102 are in the stance phase. In some embodiments, knee hydraulic circuit 190 and hydraulic circuit 194 may be coupled to each other or share components. In some embodiments, one knee hydraulic circuit 190 may be used for both torque generator 110 and 111, or each of torque generators 110 and 111 may connect to an independent knee hydraulic circuit 190.

[0119] Figure 36 shows an embodiment of the invention where knee hydraulic circuit 190 comprises a knee actuated flow-restricting valve 208 connecting right torque generator 110 to a hydraulic reservoir 195. In operation, knee actuated flow-restricting valve 208 restricts the fluid flow during stance phase and allows for minimum resistance fluid flow during the swing phase. Although one reservoir (i.e., reservoir 195) is used to hold hydraulic fluid for both hydraulic circuit 194 and knee hydraulic circuit 190, one can use separate hydraulic reservoirs for hydraulic circuit 194 and knee hydraulic circuit 190.

[0120] Figure 37 shows an embodiment of the invention where knee hydraulic circuit 190 comprises a hydraulic three-way valve 198 connecting right torque generator 110 to a hydraulic reservoir 195, either through a non-actuated flow restricting valve 196 or a bypass line 197. Hydraulic three-way valve 198 connects right torque generator 110 to hydraulic reservoir 195 through non-actuated flow restricting valve 196 during stance phase, thereby restricting the hydraulic flow and increasing the impedance of right torque generator 110. During swing phase, hydraulic three-way valve 198 connects right torque generator 110 to hydraulic reservoir 195 through bypass line 197, thereby increasing the hydraulic fluid flow and decreasing the impedance of right torque generator 110.

[0121] Figure 38 represents another embodiment of knee hydraulic circuit 190, where a knee actuated flow-restricting valve 208 capable of controlling its orifice size and a check valve 199 connect torque generator 110 to hydraulic reservoir 195. In operation during the stance phase, signal processor 159 restricts the fluid flow by controlling the orifice of knee actuated flow-restricting valve 208. During swing phase, signal processor 159 opens knee actuated flow-restricting valve 208 and allows for fluid flow to torque generator 110 thereby decreasing the impedance of torque generator 110. Knee actuated flow-restricting valve 208 comprises any valve or combination of valves capable of performing the indicated functions. Examples of knee actuated flow-restricting valve 208 include, without limitation, flow control valves, pressure control valves and on-off valves. Check valve 199 allows right knee joint 107 to extend easily (no or minimum resistance) at all times.

[0122] Figure 39 represents another embodiment of knee hydraulic circuit 190. This embodiment is similar to the embodiment of Figure 37, but an additional check valve 199 has been added to allow right knee joint 107 to extend easily (no or minimum resistance) at all times.

[0123] Figure 40 represents another embodiment of knee hydraulic circuit 190 where a two-way valve 193, capable of selecting between a set orifice size or fully open orifice, and check valve 199 connect torque generator 110 to hydraulic reservoir 195. During stance phase, signal processor 159 directs the fluid flow to torque generator 110 through the set orifice size of two-way valve 193. During swing phase, signal processor 159 directs the fluid flow to torque generator 110 through fully open orifice of two-way valve 193. Check valve 199 allows right knee joint 107 to extend easily (no or minimum resistance) at all times.

[0124] In some embodiments, leg supports 101 and 102 are configured to allow flexion of the respective knee joints 107 and 108 during the swing phase and to resist flexion of the respective knee joints 107 and 108 during the stance phase by locking the knees. One such locking knee is shown in Figure 41. Figure 41 shows right leg support 101 in two configurations. In Figure 41, right shank link 105 includes a shank stop 209, which bears on thigh stop 210 when the knee is hyperextended. The angle of right knee joint 107 at hyper-extension is illustrated as A in Figure 41. Since this angle is less than 180 degrees, knee joint 107 or 108 will go “over-center” when approaching hyper-extension, meaning that the knee will tend to lock against the stops if leg supports 101 or 102 are subject to a compressive load, as would be the case for right leg support 101 in the situation illustrated in Figure 41. One skilled in the art will note that there are many such over-center mechanisms, which generally tend to force the load vector on the leg support to pass in front of the knee joint.

[0125] In some embodiments, lower extremity exoskeleton 100 further comprises knee resilient elements 232, which are configured to encourage flexion of knee joints 107 and 108. This decreases the person’s effort needed to flex knee joints 107 and 108 during the swing phase. In some embodiments, as shown in Figure 42, knee resilient elements 232 are in parallel with torque generators 110 and 111. In some embodiments, knee resilient elements 232, as shown in Figure 43, are in series with torque generators 110 and 111. In some embodiment, lower extremity exoskeleton 100 comprises knee resilient elements 232, which are configured to encourage extension of knee joints 107 and 108. One skilled in the art will note that there are many methods and locations for installation of knee resilient element 232 to encourage flexion and/or extension of knee joints 107 and 108. It is further understood that knee resilient elements 232 can also be used with the embodiment of the exoskeleton shown in Figure 41.

[0126] Although various exemplary embodiments have been described, it will be appreciated by persons skilled in the art that numerous variations and/or modifications may be made to the described device as specifically shown here without departing from the spirit or scope of that broader disclosure. For example, in general, the exoskeleton legs do not have to reach all the way to the ground in order to decrease the wearer's oxygen consumption. Any leg support including shank links only, as shown in Figure 45, decrease its wearer's energy expenditure as long as the force from exoskeleton trunk onto the wearer's upper body is along the person's forward velocity. The mechanical energy transferred to the person during the stance phase will result in an incremental decrease in wearer's energy required for locomotion during the stance phase. An incremental decrease in wearer's energy required for locomotion leads to less oxygen consumption and a lower heart rate. The various examples are, therefore, to be considered in all respects as illustrative and not restrictive. In general, the invention is only intended to be limited by the scope of the following claims.

WE CLAIM:

1. An exoskeleton device, configurable to be coupled to a lower extremity of a person, comprising:

two leg supports configurable to be coupled to said person's lower limbs and configured to rest on the ground during their stance phases, where each said leg support comprises a thigh link and a shank link;

two knee joints, each configured to allow flexion and extension between respective shank link and respective thigh link;

an exoskeleton trunk configurable to be coupled to said person's upper body, rotatably connectable to said thigh links of said leg supports, allowing for the flexion and extension between said leg supports and said exoskeleton trunk;

two hip actuators configured to create torques between said exoskeleton trunk and said leg supports; and

at least one power unit, capable of providing power to said hip actuators,

wherein, when said lower extremity exoskeleton is worn by said person, a leg support is in the stance phase, and the other leg support is in the swing phase, said at least one power unit is configured to cause said hip actuator of said leg support in the stance phase to create a torque profile such that the force from said exoskeleton trunk onto person's upper body is along the person's forward velocity.

2. The device of claim 1 wherein said exoskeleton further includes a force sensor to measure the force between said exoskeleton trunk and said person's upper body, wherein a signal processor ensures the force on said person's upper body is always along person's forward velocity.

3. The device of claim 1 wherein each said hip actuator comprises a hydraulic hip actuator and said power unit, capable of providing hydraulic power, among other components includes at least one hydraulic circuit connectable to at least one of said hydraulic hip actuators and modulates the hydraulic fluid flow to and from said hydraulic hip actuator.

4. The device of claim 3 wherein said hydraulic circuit, among other components, comprises a hydraulic pump coupled to an electric motor, wherein, when one of said leg supports is in the stance phase, said hydraulic pump injects hydraulic fluid into said hydraulic hip actuator of said leg support in the stance phase.

5. The device of claim 4 wherein said hydraulic circuit, among other components, further comprises a flow restricting valve capable of redirecting hydraulic fluid around said pump, wherein, when said leg support corresponding to said coupled hydraulic hip actuator is in the stance phase, said flow restricting valve does not redirect hydraulic fluid around said pump.

6. The device of claim 4 wherein said hydraulic circuit, among other components, further comprises a three-way valve, wherein, when a leg support is in the stance phase, said three-way valve connects said hydraulic hip actuator of said leg support in stance phase to said hydraulic pump; otherwise, said three-way valve redirects hydraulic fluid around said pump.

7. The device of claim 1 wherein said exoskeleton further comprises at least one signal processor wherein said signal processor, among other tasks, computes said torque profile.

8. The device of claim 7 wherein said signal processor controls said hip actuator of said leg support in the stance phase to ensure said torque profile is larger than expression below

$$(M_{TRUNK}L^2 + I)\ddot{\beta}_1 - (LM_{TRUNK} + RM_L)g \sin(\beta_1 + \alpha) + T_F$$

wherein:

M_{TRUNK} is a mass of the exoskeleton trunk and any attached load;

M_L is a mass of the respective first and second leg support in the stance phase;

I is moment of inertia of the respective first and second leg support in the stance phase;

L is a length of the respective first and second leg support in the stance phase;

R is a distance between a center of mass of the respective first and second leg support in the stance phase and the rotational point F ;

g is force due to gravity;

β_1 is an angle between a support surface and the normal line of force on the exoskeleton trunk from a person's upper body;

α is a ground slope defined by an angle between a support surface and a horizontal plane; and

T_F is the frictional torque opposing the motion of the leg support relative to the exoskeleton trunk.

9. The device of claim 1 wherein said exoskeleton trunk further allows for rotation of each said leg support about an abduction-adduction axis generally parallel to ground.
10. The device of claim 1 wherein said exoskeleton trunk further comprises two hip links rotatably connectable to said respective thigh links to allow for said flexion and extension of said support legs relative to said exoskeleton trunk; wherein said hip links are rotatably connected to each other to allow for abduction of leg supports.
11. The device of claim 1 wherein said exoskeleton trunk further comprises two hip links rotatably connectable to said respective thigh links to allow for said flexion and extension of said support legs relative to said exoskeleton trunk; wherein said hip links are rotatably connected to each other to allow for adduction of leg supports.
12. The device of claim 1 wherein said exoskeleton trunk is configured to hold a rear load behind said person when said exoskeleton trunk is coupled to said person's upper body.
13. The device of claim 1 wherein said exoskeleton trunk further comprises an extension frame configured to hold a front load in front of said person when said exoskeleton trunk is coupled to said person's upper body.
14. The device of claim 10 wherein said exoskeleton trunk further comprises a hip resilient element configured to apply a torque between said hip links.

15. The device of claim 11 wherein said exoskeleton trunk further comprises a hip resilient element configured to apply a torque between said hip links.
16. The device of claim 10 wherein said exoskeleton trunk further comprises a hip abduction stop to limit the abduction of said hip links with respect to each other.
17. The device of claim 1 wherein said exoskeleton trunk further comprises a connecting bracket configured to transfer the weight of a load to said exoskeleton trunk.
18. The device of claim 17 wherein said exoskeleton trunk further comprises two hip links rotatably connectable to said respective thigh links to allow for said flexion and extension of said support legs relative to said exoskeleton trunk; wherein said hip links are rotatably connected to said connecting bracket via two hip abduction-adduction joints to allow for rotational motion of said leg supports about two abduction-adduction axes.
19. The device of claim 18 wherein said abduction-adduction axes are generally parallel to each other.
20. The device of claim 18 wherein said abduction-adduction joints coincide on each other.
21. The device of claim 17 wherein said load is an object selected from a group consisting of a backpack, another person, a baby carrier, food containers, sacks, water jugs, tool boxes, barrels, ammunition, weaponry, bedding, first aid supplies, golf bags, mail bags, camera, leaf blower, compressor, electromechanical machineries and combinations thereof.
22. The device of claim 18 wherein said exoskeleton trunk further comprises hip abduction-adduction resilient elements configured to apply torques between said hip links and said connecting bracket.
23. The device of claim 17 wherein said connecting bracket further comprises an extension frame configured to hold said load in front of said person when said exoskeleton trunk is coupled to said person's upper body.

24. The device of claim 17 wherein said exoskeleton trunk comprises a human interface device capable of coupling said person's upper body to lower extremity exoskeleton.
25. The device of claim 24 wherein said human interface device is capable of transferring a portion of the weight of said person to said exoskeleton trunk.
26. The device of claim 24 wherein said human interface device comprises an element or combination of elements selected from a group consisting of vests, belts, straps, shoulder straps, chest straps, body cast, harness, and waist belts.
27. The device of claim 1 wherein said thigh link of each said leg support further includes a thigh abduction-adduction joint configured to allow abduction of said perspective leg support.
28. The device of claim 27 wherein said abduction-adduction joints are generally located below said hip flexion-extension joints.
29. The device of claim 1 wherein said thigh of each said leg support further includes a thigh abduction-adduction joint configured to allow adduction of said leg support.
30. The device of claim 29 wherein said abduction-adduction joints are generally located below said hip flexion-extension joints.
31. The device of claim 1 wherein each said leg support further includes a leg rotation joint configured to allow rotation of said leg support.
32. The device of claim 31 wherein said leg rotation joints are generally located above said knee flexion-extension joints.
33. The device of claim 31 wherein said leg rotation joints further comprise a leg rotation resilient element that provides a restoring torque which generally restores said leg support back to a neutral position.
34. The device of claim 1 wherein said thigh link of each said leg support further includes a compression-elongation mechanism configured to allow a change in the distance between said hip flexion-extension joint and said knee flexion-extension joint.

35. The device of claim 34 wherein said compression-elongation mechanism comprises a leg compression-elongation resilient element that provides a restoring force which generally restores said leg support back to a neutral configuration.
36. The device of claim 1 wherein said thigh links include lower limb interface straps configured to allow said person to couple to said leg supports.
37. The device of claim 1 wherein said shank links include lower limb interface straps configured to allow said person to couple to said leg supports.
38. The device of claim 1 wherein each said leg support further comprises at least one knee resilient element configured to encourage flexion of said respective knee joint.
39. The device of claim 1 wherein each said leg support further comprises at least one knee resilient element configured to encourage extension of said respective knee joint.
40. The device of claim 1 wherein each said leg support further comprises an exoskeleton foot configured to be coupled to respective said person's foot and coupled to respective said shank link to allow the transfer of forces from said shank link to the ground.
41. The device of claim 40 wherein each said exoskeleton foot further comprises a shoe or a boot wearable by said person to allow said exoskeleton foot to couple said person's foot.
42. The device of claim 40 wherein each said exoskeleton foot further comprises an exoskeleton insole insertable inside said person's shoe or boot to allow said exoskeleton foot to couple to said person's foot.
43. The device of claim 1 wherein each said leg support further comprises an exoskeleton foot configured to be coupled to respective said person's foot and rotatably coupled to respective said shank link to allow the transfer of forces from said shank link to the ground; said exoskeleton foot rotates about an ankle plantar-dorsi flexion axis generally parallel to plantar-dorsi flexion axis in the human ankle.

44. The device of claim 43 wherein each said leg support further comprises at least one ankle plantar-dorsi flexion resilient element resisting the rotation of respective said exoskeleton foot about said ankle plantar-dorsi flexion axis.

45. The device of claim 1 wherein each said leg support further comprises an exoskeleton foot configured to be coupled to respective said person's foot and rotatably coupled to respective said shank link to allow the transfer of forces from said shank link to the ground; said exoskeleton foot rotates about an ankle abduction-adduction axis generally parallel to the abduction-adduction axis in the human ankle.

46. The device of claim 45 wherein said each leg support further comprises at least one ankle abduction-adduction resilient element to resist the rotation of respective said exoskeleton foot about said ankle abduction-adduction axis.

47. The device of claim 1 wherein each said leg support further comprises an exoskeleton foot configured to be coupled to respective said person's foot and rotatably coupled to respective said shank link to allow the transfer of forces from said shank link to the ground; said exoskeleton foot rotates about an ankle rotation axis generally parallel to rotation axis in the human ankle.

48. The device of claim 47 wherein each said leg support further comprises at least one resilient element to resist the rotation of respective said exoskeleton foot about said ankle rotation axis.

49. The device of claim 1 further comprising at least one stance sensor per said leg support which produces a stance signal indicating whether said leg support is in the stance phase.

50. The device of claim 49 where said stance sensor is coupled to shank link of said leg support.

51. The device of claim 49 wherein said stance sensor is located inside a human shoe.

52. The device of claim 49 wherein said stance sensor is located inside a human shoe sole.

53. The device of claim 49 wherein said stance sensor is connectable to the bottom of a human shoe.

54. The lower extremity exoskeleton of claim 40 wherein each said exoskeleton foot includes at least one stance sensor configured to produce a stance signal indicating whether said leg support is in the stance phase.

55. The device of claim 54 wherein said stance sensor is a pressure sensor configured to measure the pressure in a media trapped in a cavity in said exoskeleton foot.

56. The device of claim 1 wherein each said leg support further comprises a torque generator each configured to allow flexion of said respective knee joint during swing phase and to resist flexion of said respective knee joint during stance phase to allow the transfer of force to the ground.

57. The device of claim 56 wherein said torque generators are hydraulic piston cylinders, wherein the hydraulic piston cylinder's resistive force can be controlled by controlling the fluid flow in a hydraulic valve.

58. The device of claim 56 wherein said torque generators are hydraulic piston cylinders, wherein the hydraulic piston cylinder's impedance can be controlled by controlling a hydraulic valve.

59. The device of claim 56 wherein said torque generators are selected from a group consisting of friction brakes, viscosity based friction brakes, and Magnetorheological Fluid Devices.

60. The device of claim 1 wherein each said leg support further comprises a torque generator wherein each said torque generator comprises a hydraulic piston-cylinder and said power unit, among other components, includes at least one knee hydraulic circuit connectable to said hydraulic piston-cylinders; said knee hydraulic circuit configured to modulate the fluid flow to said hydraulic piston-cylinders.

61. The device of claim 60 wherein said knee hydraulic circuit, when a leg support is in a stance phase, is configured to restrict the fluid flow to said hydraulic-piston-cylinder of the leg support which is in the stance phase.

62. The device of claim 60 wherein said knee hydraulic circuit, when a leg support is in a swing phase, is configured to allow the fluid flow to said hydraulic-piston-cylinder of the leg support which is in the swing phase.

63. The device of claim 60 wherein said knee hydraulic circuit, when a leg support is in a stance phase, is configured to increase the resistance to flexion of said knee joint of the leg support which is in the stance phase.

64. The device of claim 60 wherein said knee hydraulic circuit, when a leg support is in a swing phase, is configured to decrease the resistance to flexion of said knee joint of the leg support which is in the swing phase.

65. The device of claim 60 further comprising at least one stance sensor per said leg support, which produces a stance signal indicating whether said leg support is in the stance phase.

66. The device of claim 60 wherein said knee hydraulic circuit comprises a knee actuated flow restricting valve connecting said piston-cylinder to a hydraulic reservoir; said knee actuated flow restricting valve is configured to restrict the fluid flow during stance phase and allow for minimum resistance fluid flow during swing phase.

67. The device of claim 60 wherein said knee hydraulic circuit includes a hydraulic three-way valve connecting said piston-cylinder to a hydraulic reservoir either through a non-actuated flow restricting valve or a bypass line; said three-way valve is configured to connect said piston-cylinder to said hydraulic reservoir through said non-actuated flow restricting valve during stance phase and connect said piston-cylinder to said hydraulic reservoir through said bypass line during swing phase.

68. The device of claim 60 wherein said knee hydraulic circuit comprises an knee actuated flow restricting valve and a check valve connecting said piston-cylinder to a hydraulic reservoir; wherein said knee actuated flow restricting valve is configured to restrict the fluid flow during stance phase and to allow for minimum resistance fluid flow during swing phase, and said check valve is configured to allow for minimum resistance extension of said leg support at all times.

69. The device of claim 60 wherein said knee hydraulic circuit includes a hydraulic three-way valve and a check valve wherein:

said hydraulic three-way valve connects said piston-cylinder to a hydraulic reservoir through a non-actuated flow restricting valve during the stance phase or a bypass line during the swing phase, and

said check valve is configured to allow for minimum resistance extension of said leg support at all times.

70. The device of claim 60 wherein said knee hydraulic circuit comprises a two-way valve capable of selecting between a set orifice size or fully open, and a check valve connecting said piston-cylinder to a hydraulic reservoir wherein:

said two-way valve is configured to restrict the fluid flow during stance phase and allow for minimum resistance fluid flow during swing phase, and

said check valve is configured to allow for minimum resistance extension of said leg support at all times.

71. A lower extremity exoskeleton, configurable to be coupled to a person; said lower extremity exoskeleton, among other things, comprising:

two leg supports configurable to be coupled to said person's lower limbs and configured to rest on the ground during their stance phases, where each said leg support comprises a thigh link and a shank link;

two knee joints, each configured to allow flexion and extension between respective shank link and respective thigh link;

an exoskeleton trunk configurable to be coupled to said person's upper body, rotatably connectable to said thigh links of said leg supports allowing for the flexion and extension between said leg supports and said exoskeleton trunk;

two hip actuators configured to create torques between said exoskeleton trunk and said leg supports; and

at least one power unit, capable of providing power to said hip actuators,

wherein, when a leg support is in the stance phase and the other leg support is in the swing phase, at least one said power unit is configured to cause the hip actuator of said leg support in the stance phase to create a torque profile such that mechanical energy is transferred to said person from said lower extremity exoskeleton during said stance phase, thereby reducing the wearer's energy required for locomotion during said stance phase.

72. A lower extremity exoskeleton, configurable to be coupled to a person, said lower extremity exoskeleton, among other things, comprising:

two leg supports configurable to be coupled to said person's lower limbs and configured to rest on the ground during their stance phases, where each said leg support comprises a thigh link and a shank link;

two knee joints, each configured to allow flexion and extension between respective shank link and respective thigh link;

an exoskeleton trunk configurable to be coupled to said person's upper body, rotatably connectable to said thigh links of said leg supports, allowing for the flexion and extension between said leg supports and said exoskeleton trunk;

two hip actuators configured to create torques between said exoskeleton trunk and said leg supports; and

at least one power unit, capable of providing power to said hip actuators,

wherein, when said lower extremity exoskeleton is worn by said person, a leg support is in the stance phase, and the other leg support is in the swing phase, said at least one power unit is configured to cause said hip actuator of said leg support in the stance phase to create a torque profile such that the energy supplied by said at least one power unit to said hip actuator of leg support in stance phase is larger than the required energy to move said exoskeleton trunk and said leg support in stance phase through the same trajectory when not worn by said person.

73. A lower extremity exoskeleton, configurable to be coupled to a person, said lower extremity exoskeleton, among other things, comprising:

two leg supports configurable to be coupled to said person's lower limbs and configured to rest on the ground during their stance phases, where each said leg support comprises a thigh link and a shank link;

two knee joints, each configured to allow flexion and extension between respective shank link and respective thigh link;

an exoskeleton trunk configurable to be coupled to said person's upper body, rotatably connectable to said thigh links of said leg supports, allowing for the flexion and extension between said leg supports and said exoskeleton trunk;

two hip actuators configured to create torques between said exoskeleton trunk and said leg supports; and

at least one power unit, capable of providing power to said hip actuators,

wherein, when said lower extremity exoskeleton is worn by said person, a leg support is in the stance phase, and the other leg support is in the swing phase, said at least one power unit is configured to cause said hip actuator of said leg support in the stance phase to create a torque profile generally larger than the required torque to move said exoskeleton trunk and said leg support in stance phase through the same trajectory when not worn by said person.

74. A lower extremity exoskeleton, configurable to be coupled to a person; said lower extremity exoskeleton, among other things, comprising:

two leg supports configurable to be coupled to said person's lower limbs;

an exoskeleton trunk configurable to be coupled to said person's upper body, rotatably connectable to said leg supports allowing for the flexion and extension between said leg supports and said exoskeleton trunk;

at least one actuator coupled to each leg support and configured to create torque on leg support; and

at least one power unit, capable of providing power to said actuators,

wherein when said lower extremity exoskeleton is worn by said person, said at least one power unit is configured to cause said actuator of said leg support coupled to said person's lower limb in the stance phase to create a torque profile such that force from said exoskeleton trunk onto person's upper body is along the person's forward velocity.

75. The lower extremity exoskeleton of claim 74 wherein said actuators are configured to create torques between said exoskeleton trunk and said leg supports.

76. The lower extremity exoskeleton of claim 74 wherein said leg supports are configured to rest on the ground during their stance phases, where each said leg support comprises a thigh link and a shank link.

77. The lower extremity exoskeleton of claim 74 wherein said exoskeleton further includes a force sensor to measure the force between said exoskeleton trunk and said person's upper body, wherein a signal processor ensures the force on said person's upper body is always along person's forward velocity.

78. A lower extremity exoskeleton, configurable to be coupled to a person, said lower extremity exoskeleton, among other things, comprising:

two leg supports configurable to be coupled to said person's lower limbs;

an exoskeleton trunk configurable to be coupled to said person's upper body, rotatably connectable to said leg supports, allowing for the flexion and extension between said leg supports and said exoskeleton trunk;

at least one actuator coupled to each leg support and configured to create torque on leg support; and

at least one power unit, capable of providing power to said actuators,

wherein when said lower extremity exoskeleton is worn by said person, said at least one power unit is configured to cause said actuator of said leg support coupled to person's lower limb in stance phase to create a torque profile such that mechanical energy is transferred to said person from said lower extremity exoskeleton during said stance phase, thereby reducing the wearer's energy required for locomotion during said stance phase.

79. The lower extremity exoskeleton of claim 78 wherein said actuators are configured to create torques between said exoskeleton trunk and said leg supports.

80. The lower extremity exoskeleton of claim 78 wherein said leg supports are configured to rest on the ground during their stance phases, where each said leg support comprises a thigh link and a shank link.

81. A lower extremity exoskeleton, configurable to be coupled to a person, said lower extremity exoskeleton, among other things, comprising:

two leg supports configurable to be coupled to said person's lower limbs;

an exoskeleton trunk configurable to be coupled to said person's upper body, rotatably connectable to said leg supports, allowing for the flexion and extension between said leg supports and said exoskeleton trunk;

at least one actuator coupled to each leg support and configured to create torque; and

at least one power unit, capable of providing power to said actuators,

wherein, when said lower extremity exoskeleton is worn by said person, said at least one power unit is configured to cause said actuator of said leg support in the stance phase to create a torque profile such that the energy supplied by said at least one power unit to said actuator of leg support coupled to said person's lower limb in stance phase is larger than the required energy to move said exoskeleton trunk and said leg support in stance phase through the same trajectory when not worn by said person.

82. The lower extremity exoskeleton of claim 81 wherein said actuators are configured to create torques between said exoskeleton trunk and said leg supports.

83. The lower extremity exoskeleton of claim 81 wherein said leg supports are configured to rest on the ground during their stance phases, where each said leg support comprises a thigh link and a shank link.

84. A lower extremity exoskeleton, configurable to be coupled to a person; said lower extremity exoskeleton, among other things, comprising:

two leg supports configurable to be coupled to said person's lower limbs;

an exoskeleton trunk configurable to be coupled to said person's upper body, rotatably connectable to said leg supports, allowing for the flexion and extension between said leg supports and said exoskeleton trunk;

at least one actuator coupled to each leg support and configured to create torque; and

at least one power unit, capable of providing power to said actuators,

wherein when said lower extremity exoskeleton is worn by said person, said at least one power unit is configured to cause said actuator of said leg support coupled to said person's lower limb in the stance phase to create a torque profile such that said torque profile, when said exoskeleton is worn by said person, is generally larger than the required torque to move said exoskeleton trunk and said leg support in stance phase through the same trajectory when not worn by said person.

85. The lower extremity exoskeleton of claim 84 wherein said actuators are configured to create torques between said exoskeleton trunk and said leg supports.

86. The lower extremity exoskeleton of claim 84 wherein said leg supports are configured to rest on the ground during their stance phases, where each said leg support comprises a thigh link and a shank link.

87. A method of reducing the energy consumption of a person in motion coupled to an exoskeleton device including at least one power unit, two leg supports for coupling to said person's lower limbs rotatably connected to an exoskeleton trunk, two hip actuators for creating torques between said leg supports and said exoskeleton trunk, said method comprising: supplying energy from said at least one power unit to said hip actuator of the leg support coupled to said person's lower limb in the stance phase wherein said energy is at least equal to an amount of energy required to move said exoskeleton trunk and said leg support in stance phase through the same trajectory when not worn by said person.

88. A method of reducing the energy consumption of a person in motion coupled to an exoskeleton device including at least one power unit, two leg supports for attachment to the person's legs rotatably connected to an exoskeleton trunk, two hip actuators for creating torques between said leg supports and said exoskeleton trunk, the method comprising: supplying energy from said at least one power unit to said hip actuator of the leg support coupled to said person's lower limb in the stance phase; and creating a torque profile in said hip actuator of said leg support in stance wherein said torque is at least equal to an amount of torque required to move said exoskeleton trunk and said leg support in stance phase through the same trajectory when not worn by said person.

89. A method of reducing the energy consumption of a person in motion coupled to an exoskeleton device including at least one power unit, two leg supports rotatably connected to an exoskeleton trunk for attachment to the person's legs, two hip actuators for creating torques between said leg supports and said exoskeleton trunk, the method comprising: supplying energy from said at least one power unit to said hip actuator of the leg support coupled to said person's lower limb in the stance phase in the stance phase; and creating a force from said exoskeleton trunk onto person's upper body by use of said hip actuator of said leg support in the stance

wherein said force from said exoskeleton trunk onto person's upper body is along the person's forward velocity.

90. A method of reducing the energy consumption of a person in motion coupled to an exoskeleton device including at least one power unit, two leg supports for coupling to said person's lower limbs rotatably connected to an exoskeleton trunk, two hip actuators for creating torques between said leg supports and said exoskeleton trunk, said method comprising: supplying energy from said at least one power unit to said hip actuator of the leg support coupled to said person's lower limb in the stance phase and creating a torque profile in said hip actuator of said leg support in stance such that mechanical energy is transferred to said person from said lower extremity exoskeleton during said stance phase.

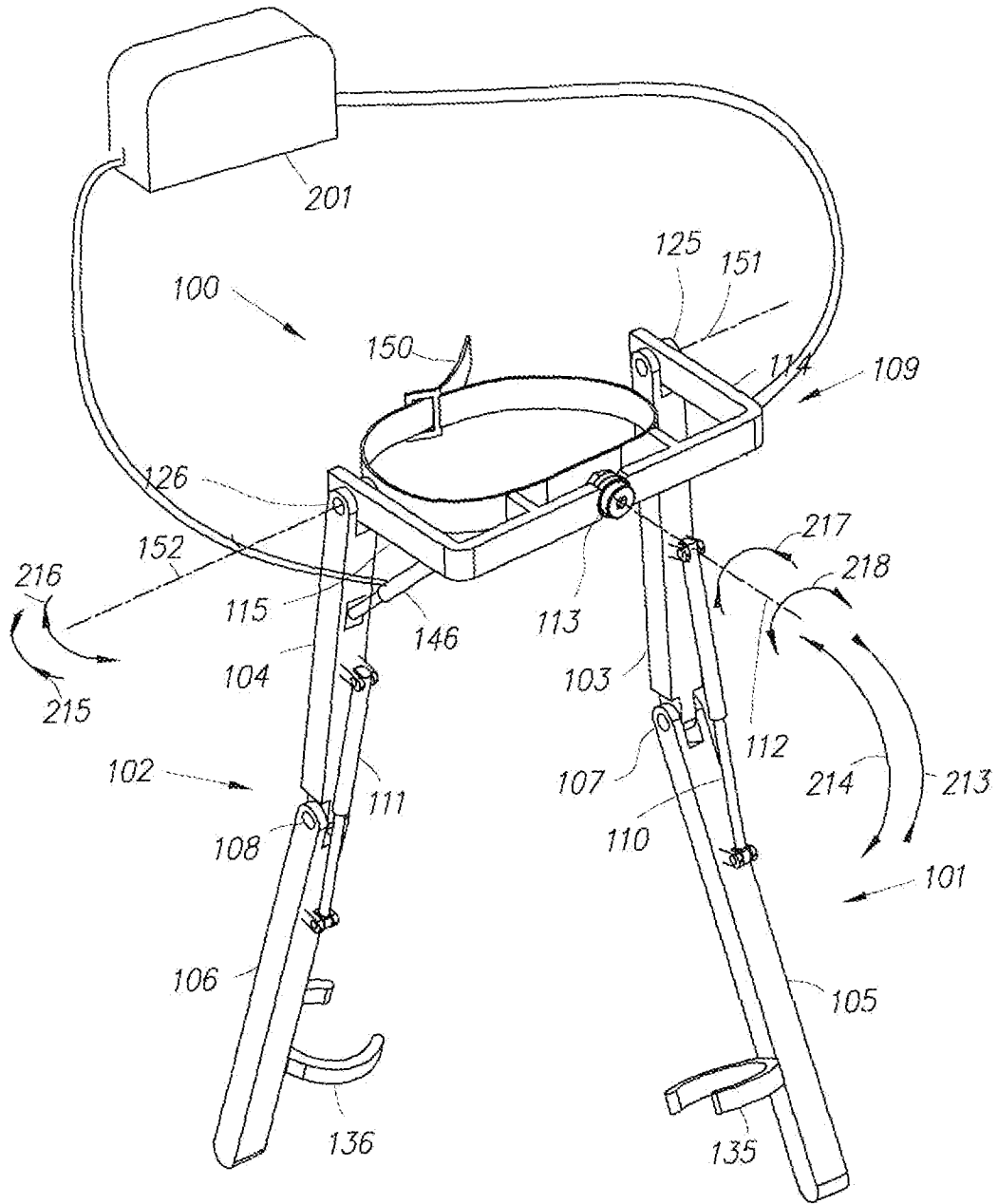
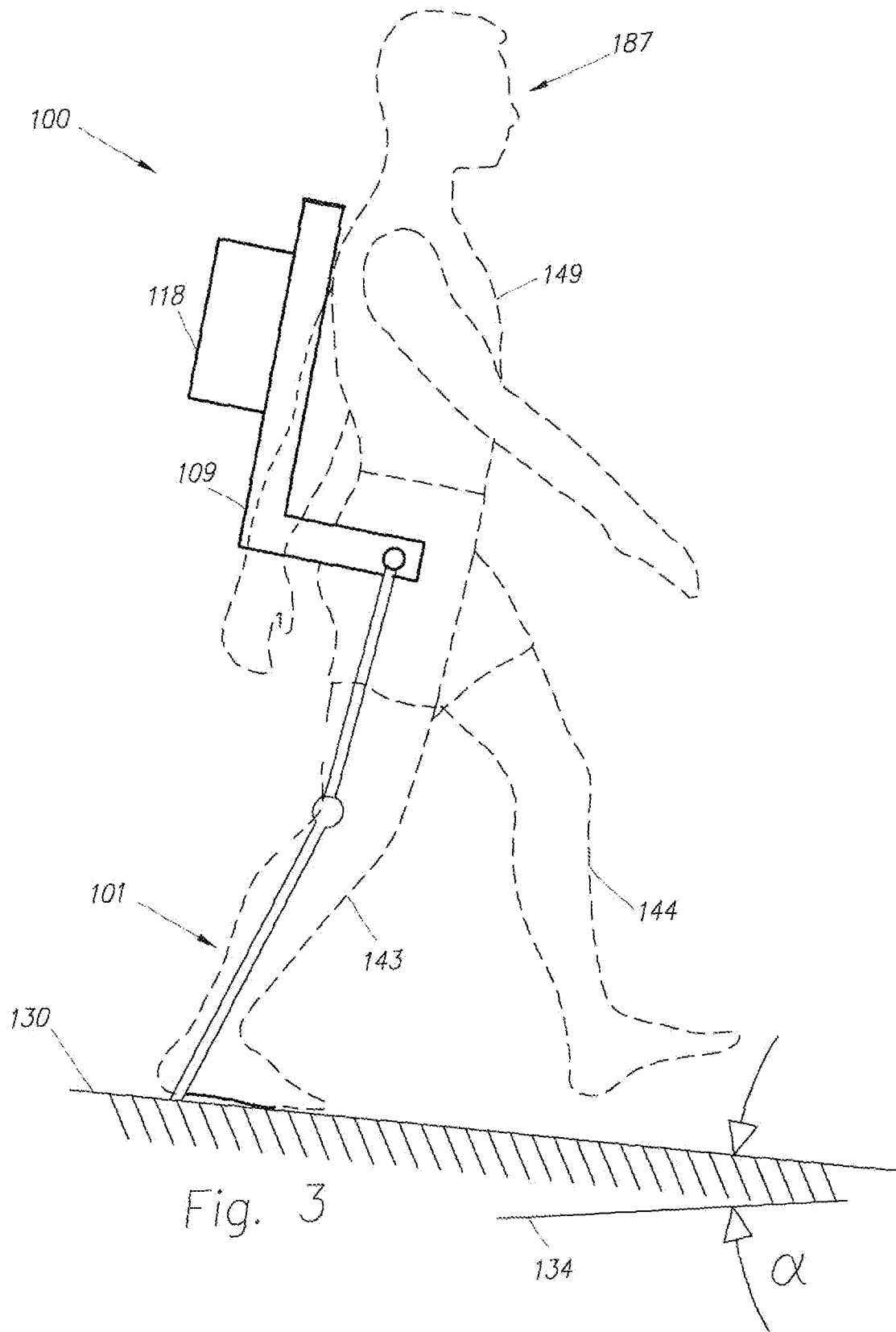


Fig. 2



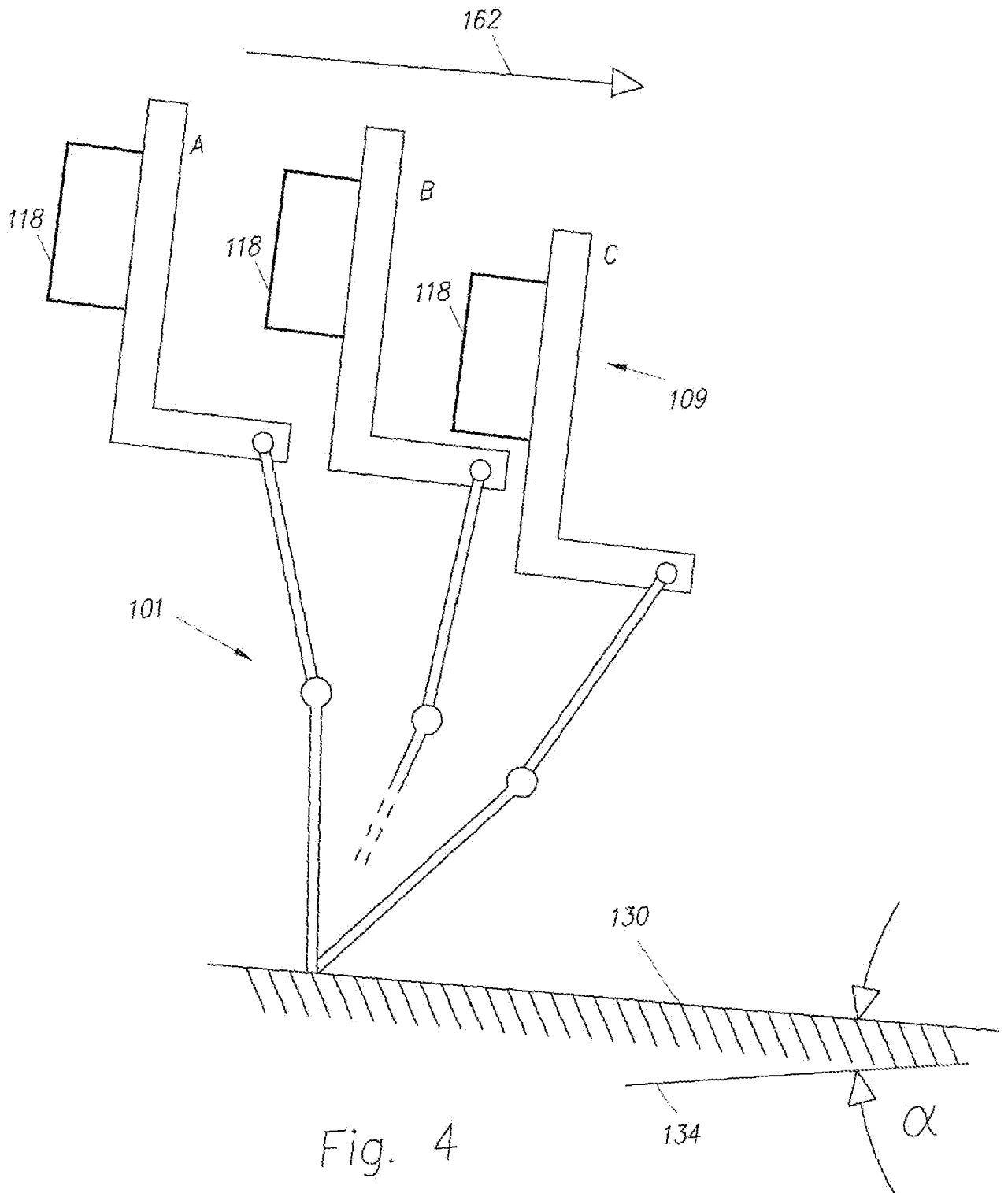


Fig. 4

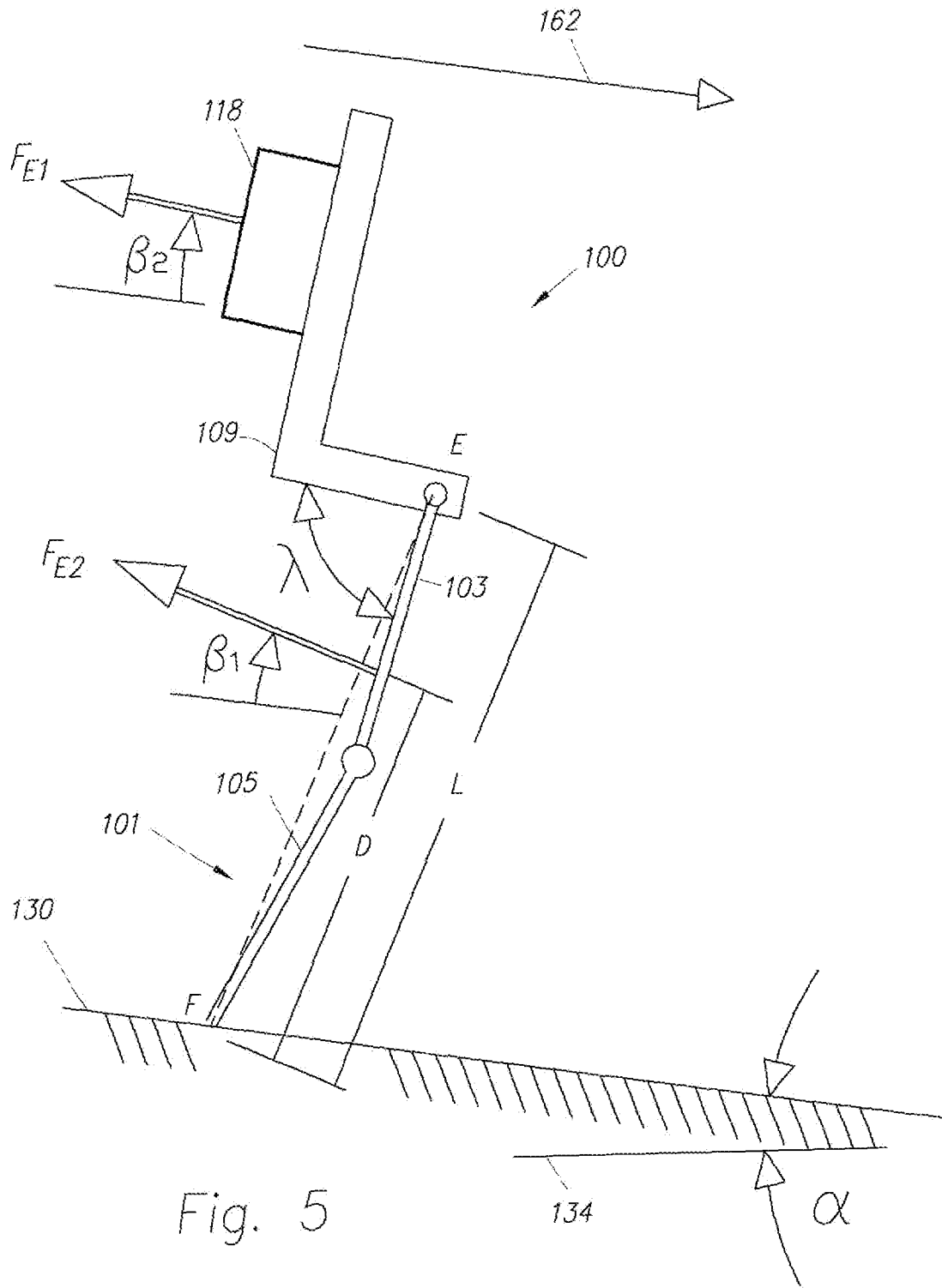


Fig. 5

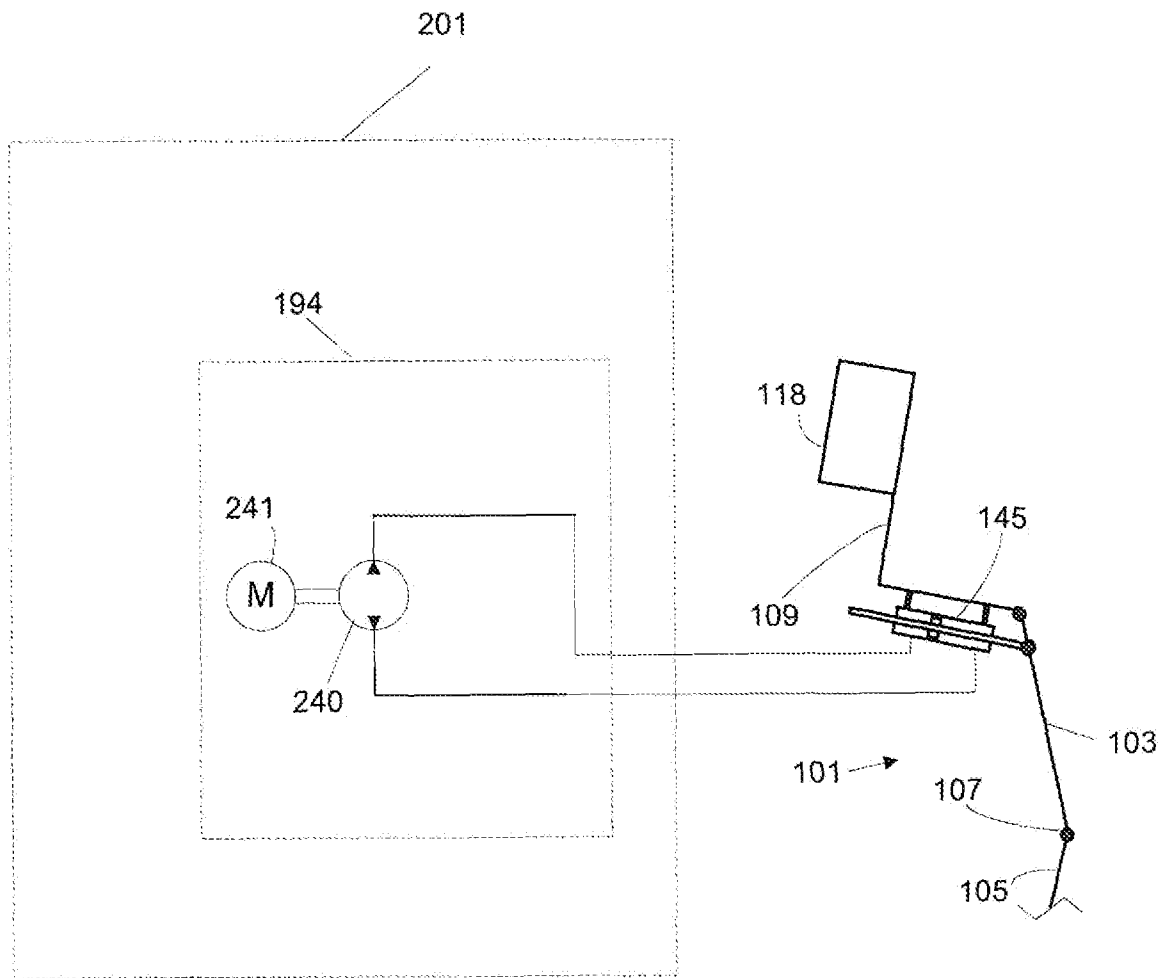


Figure 6

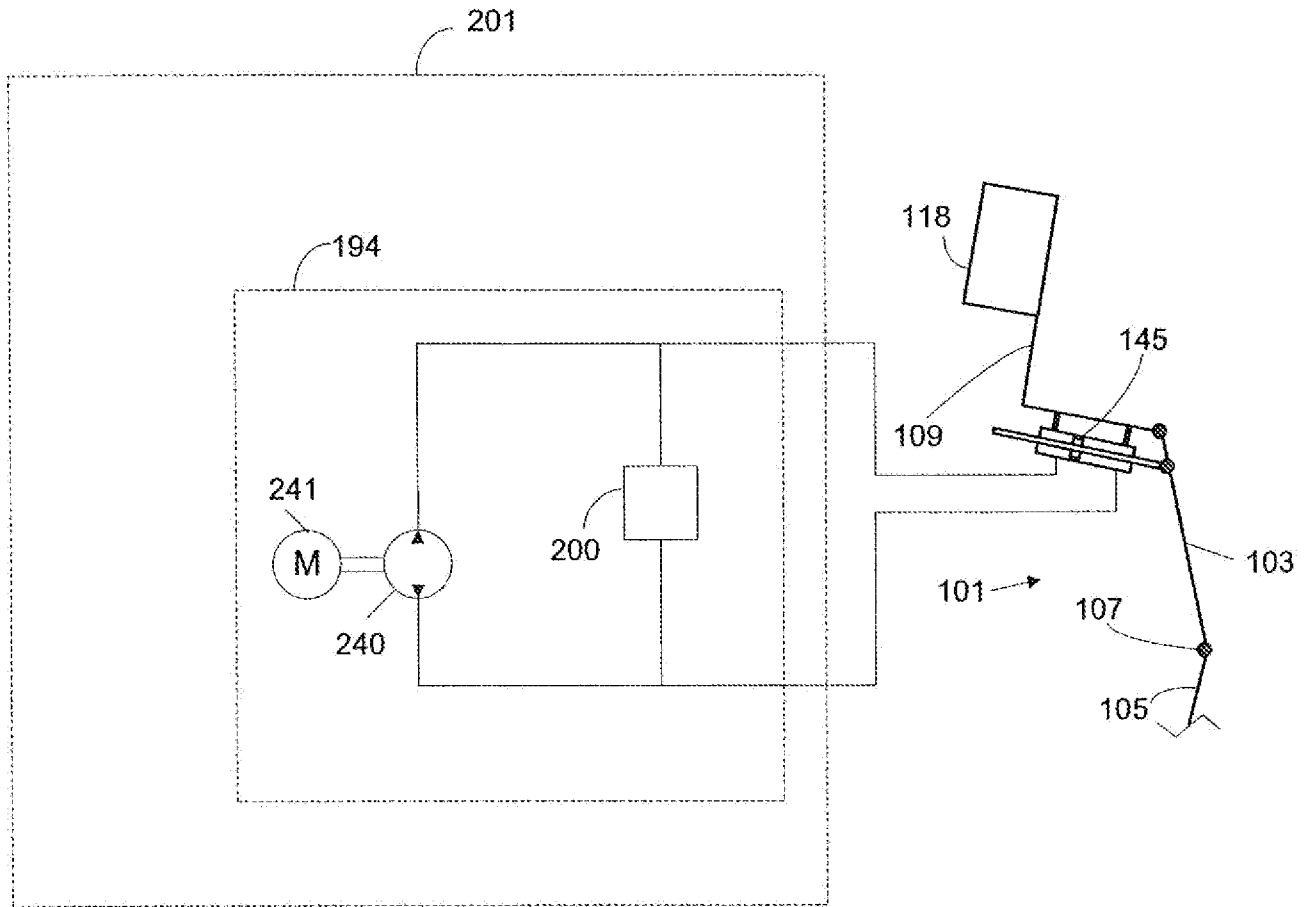


Figure 7

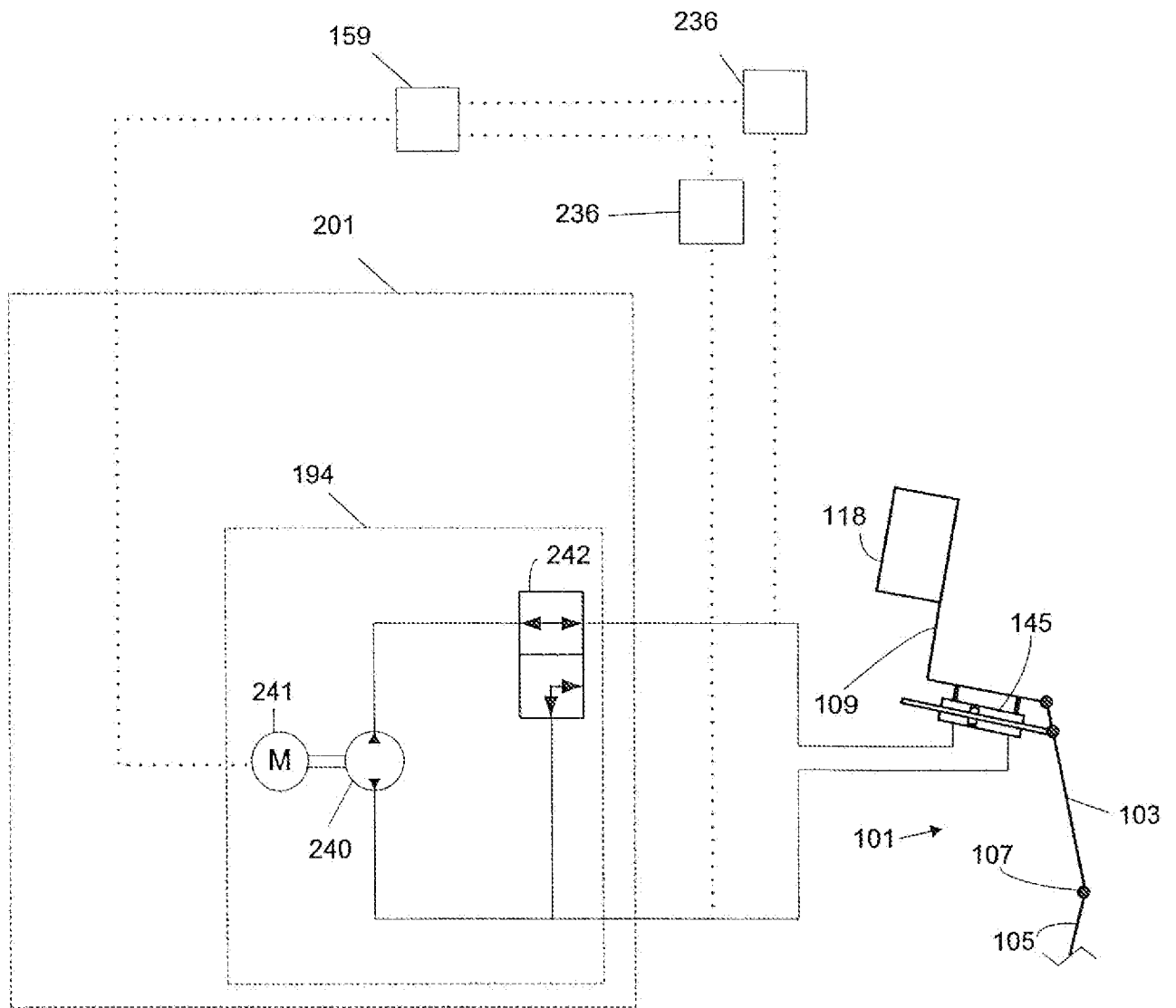


Figure 8

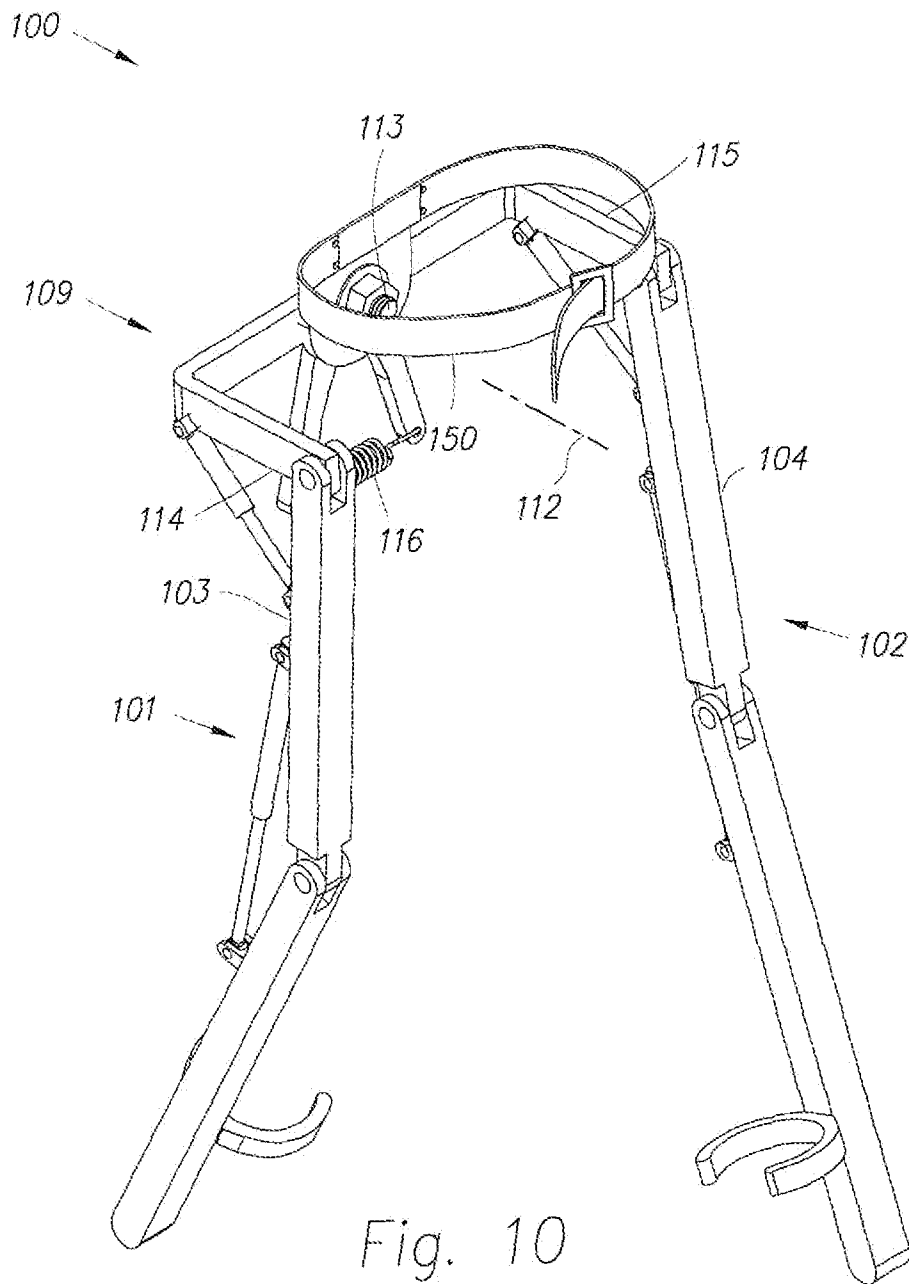
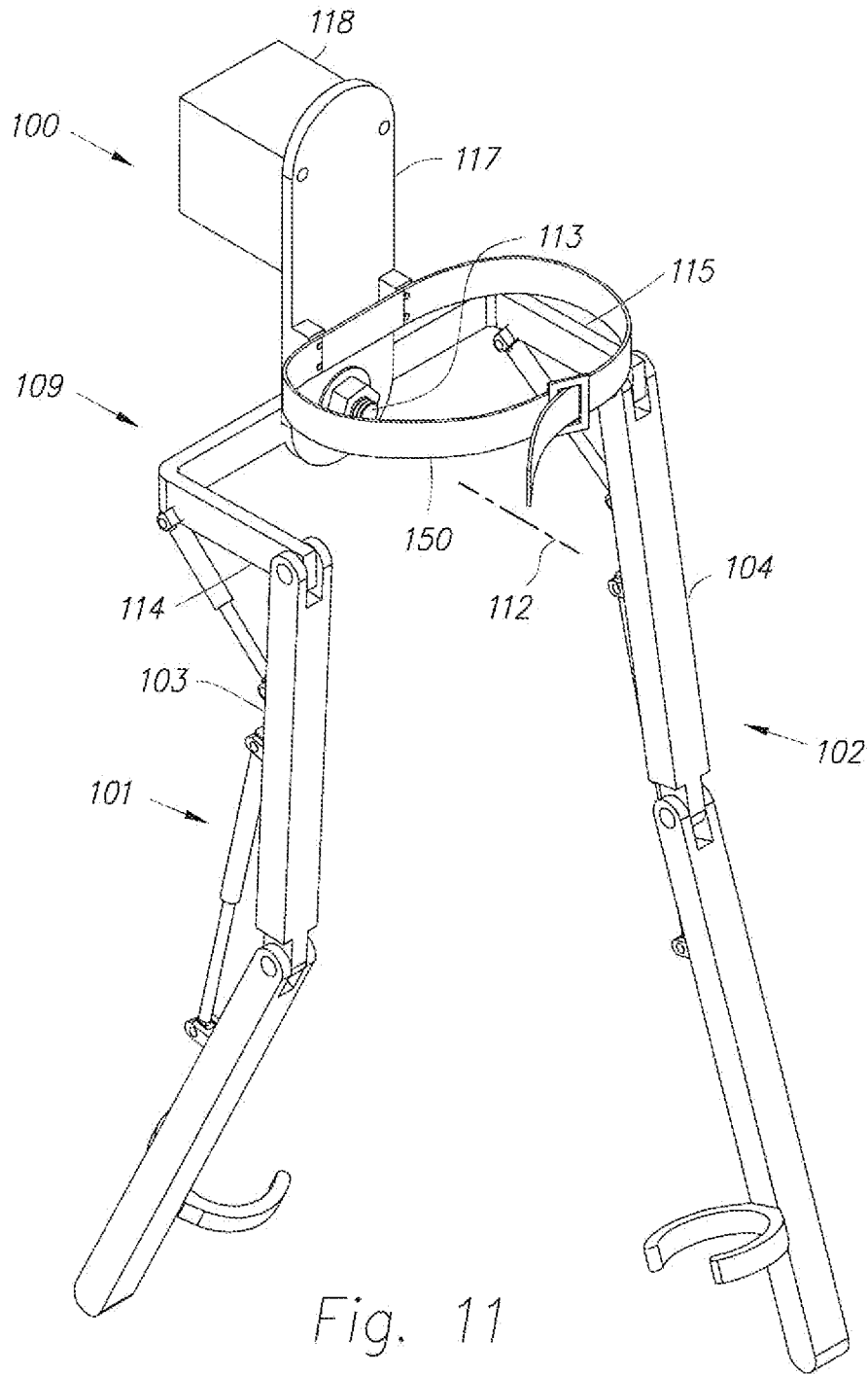
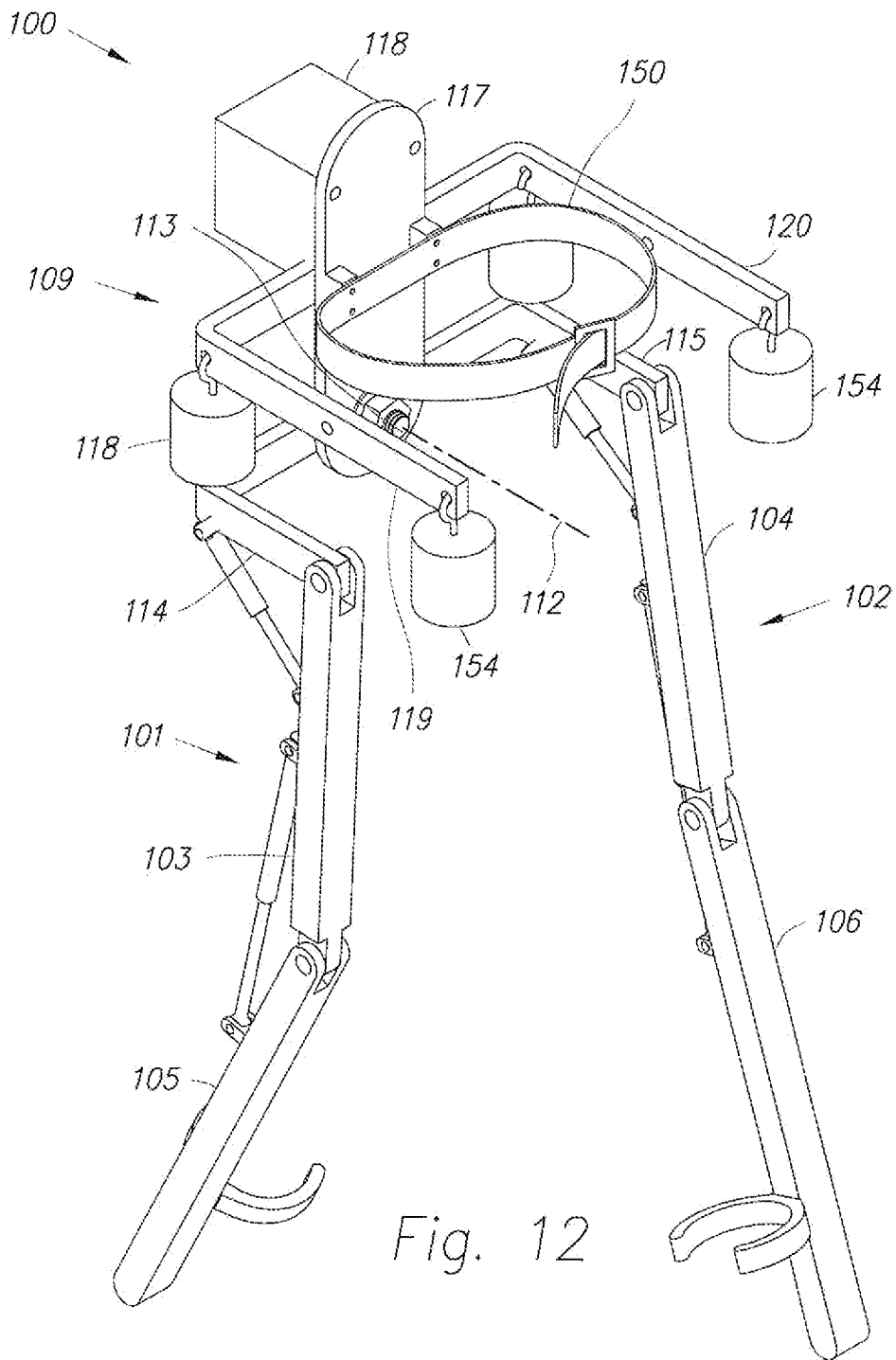


Fig. 10





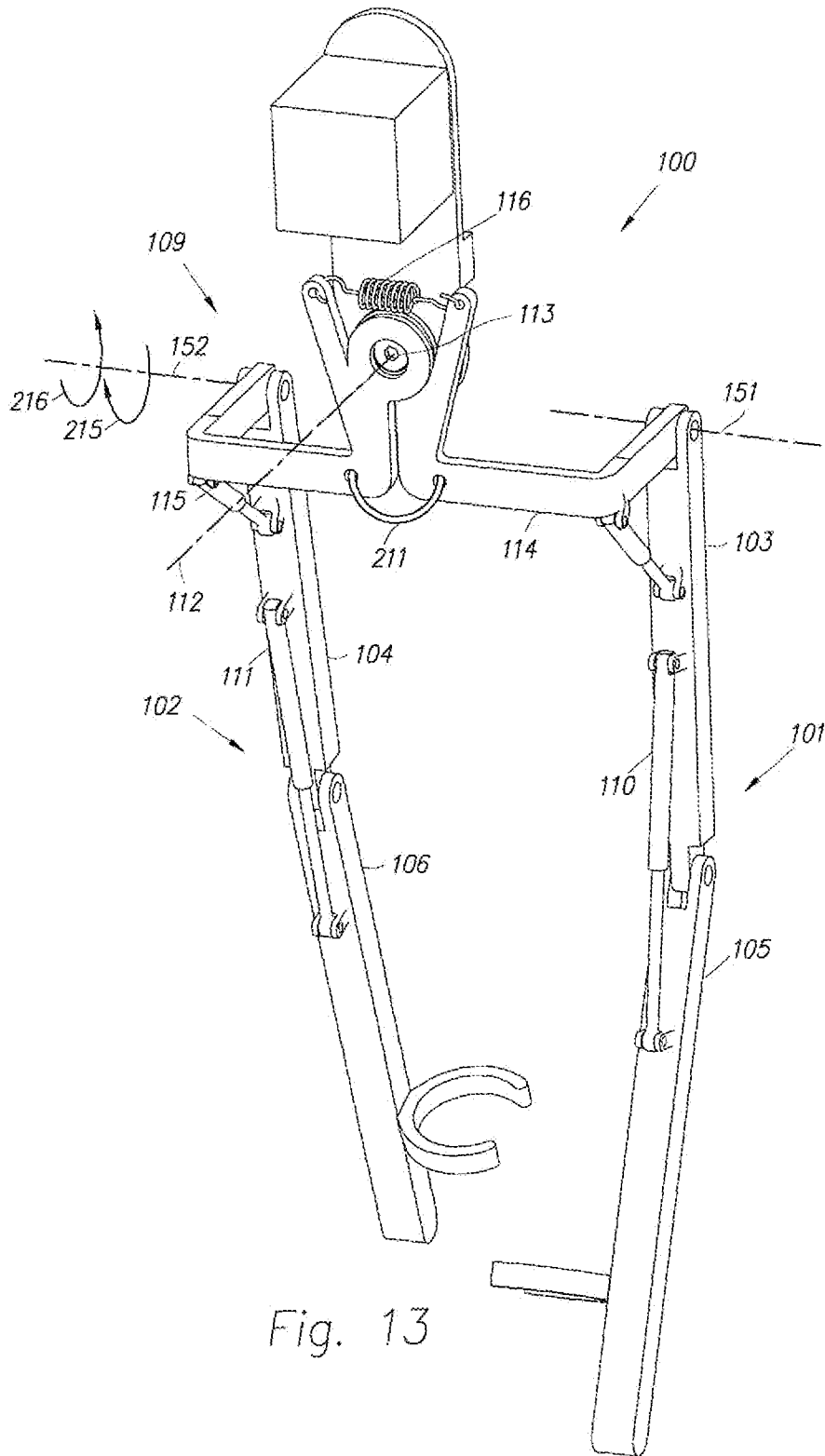


Fig. 13

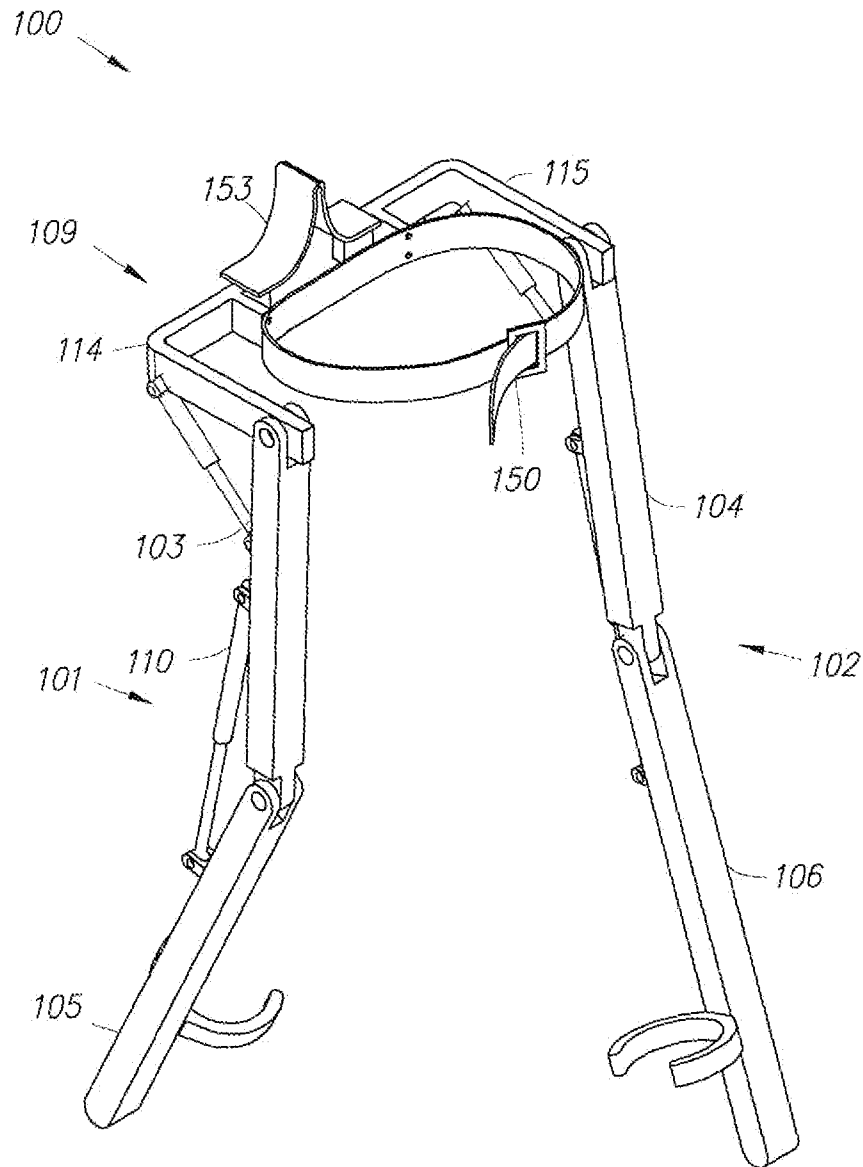


Fig. 14

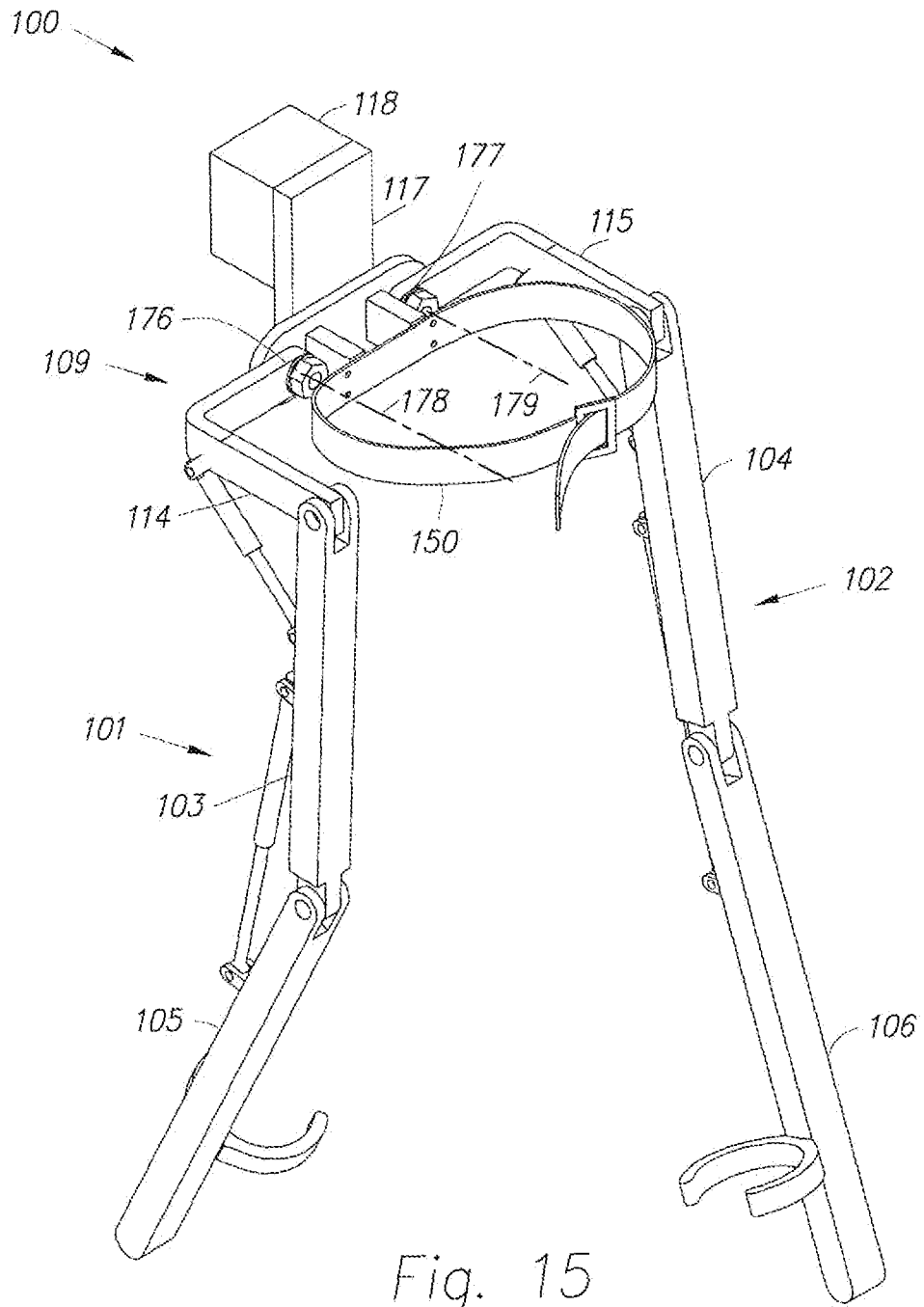


Fig. 15

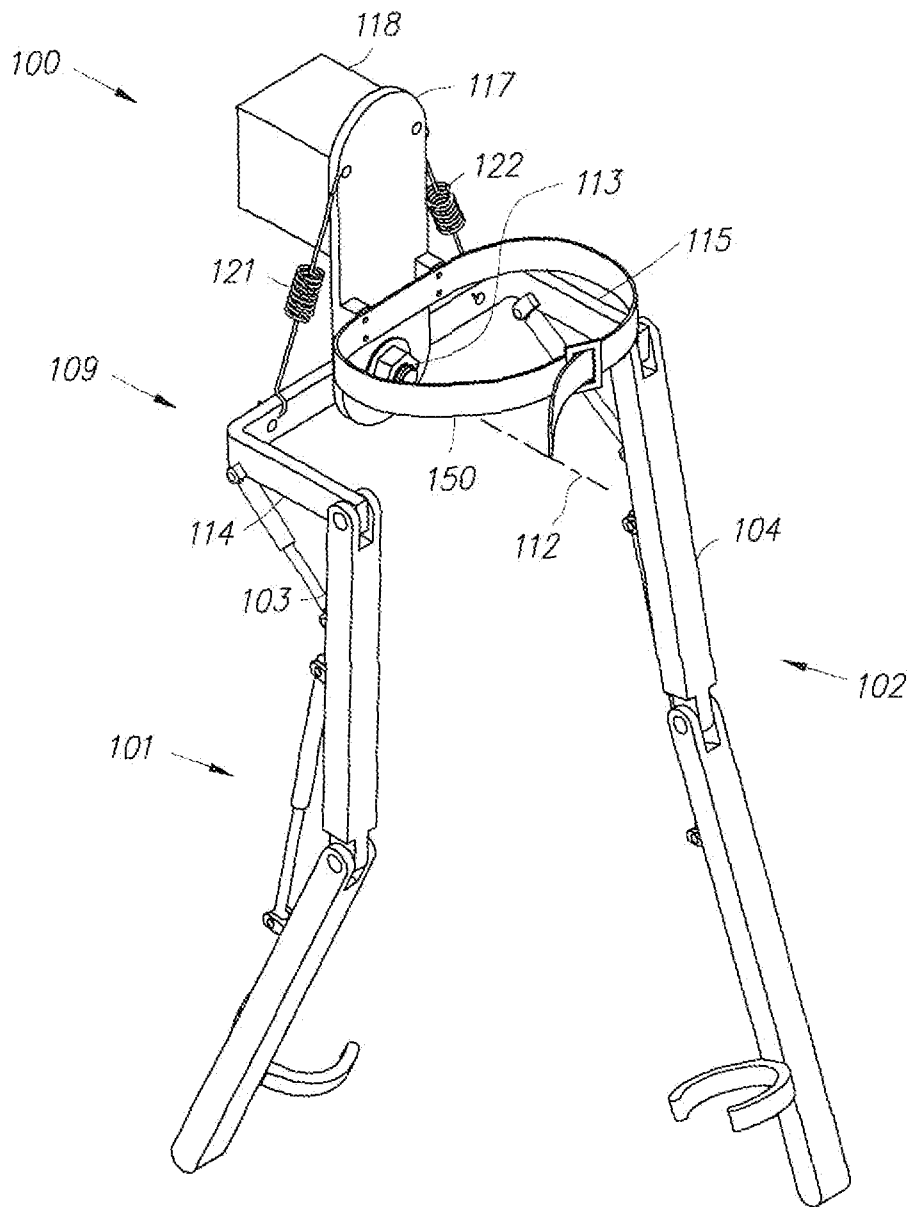


Fig. 16

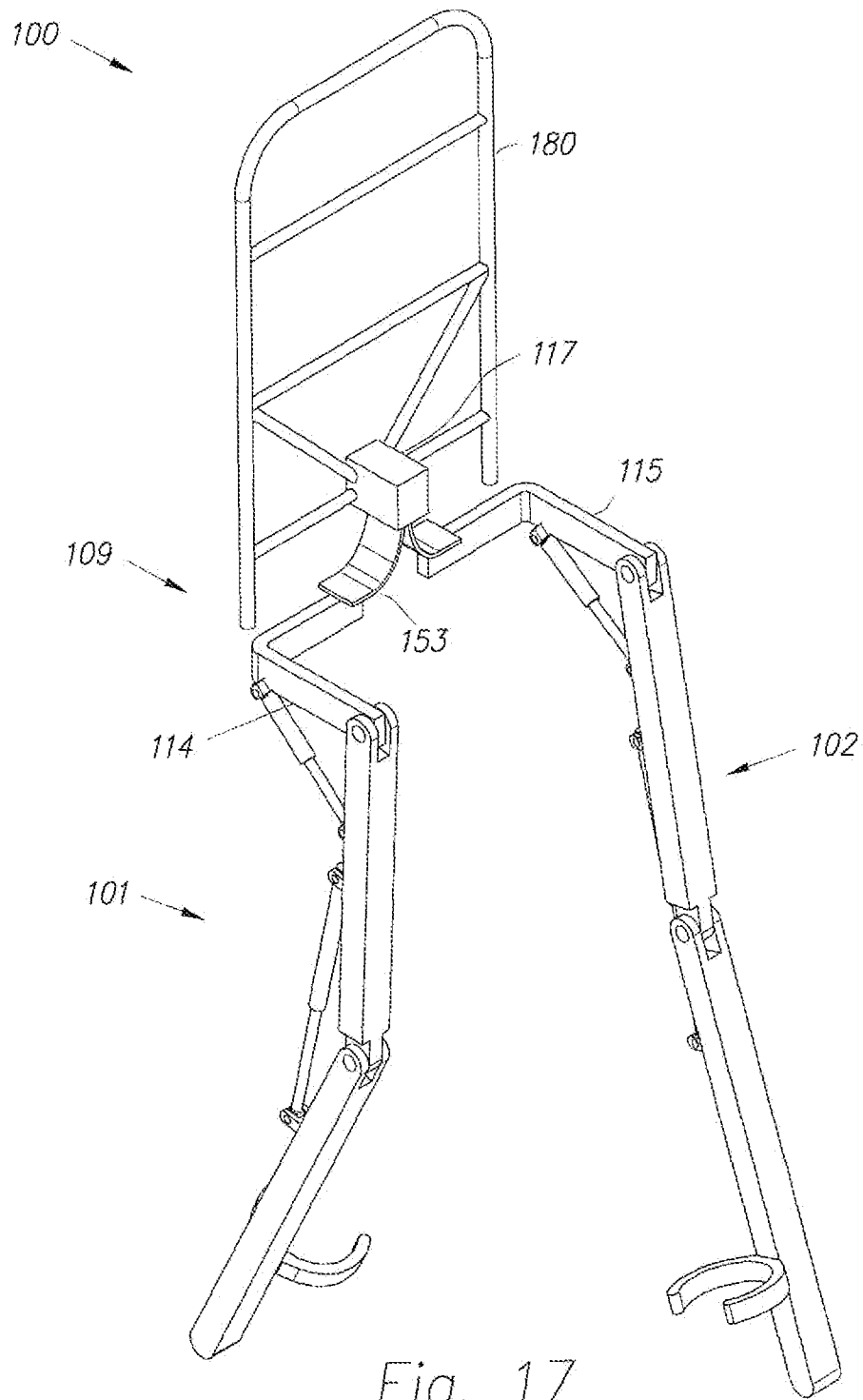


Fig. 17

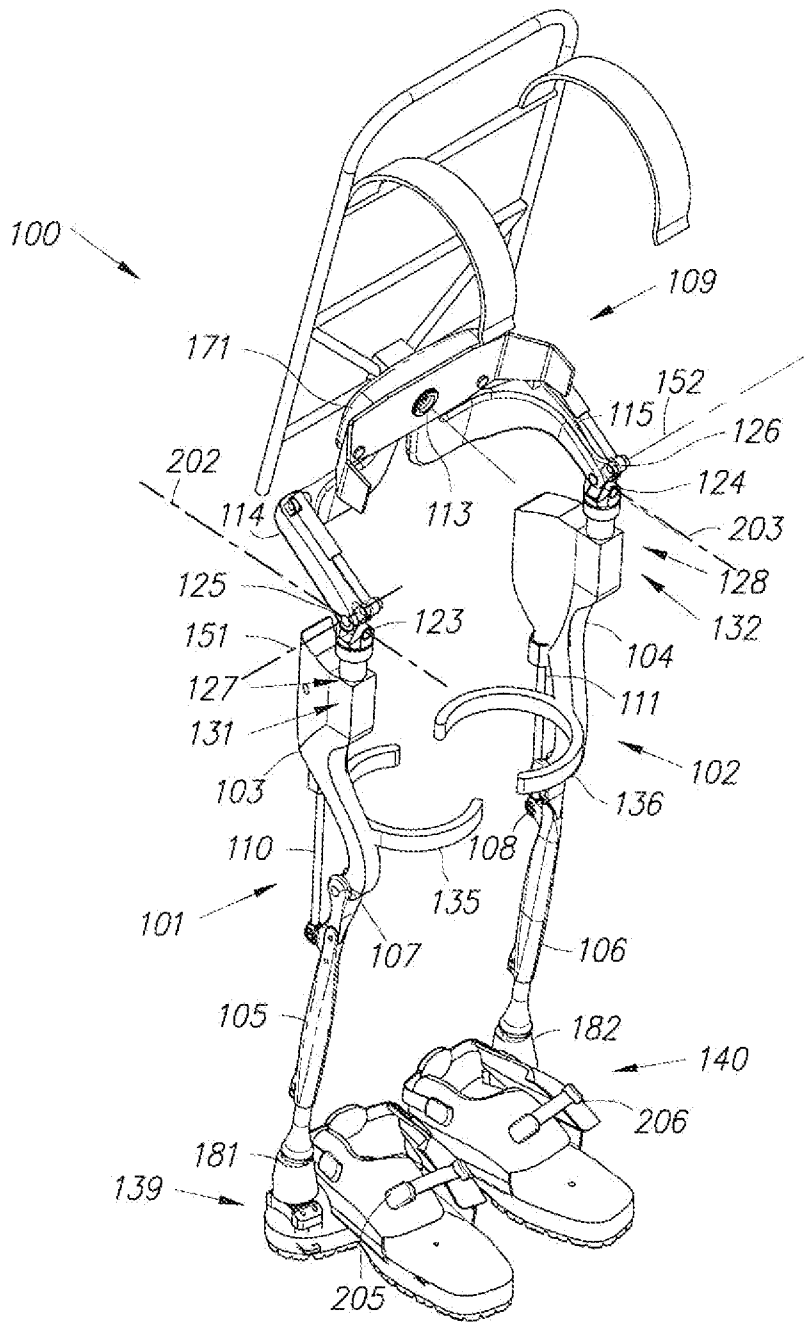


Fig. 18

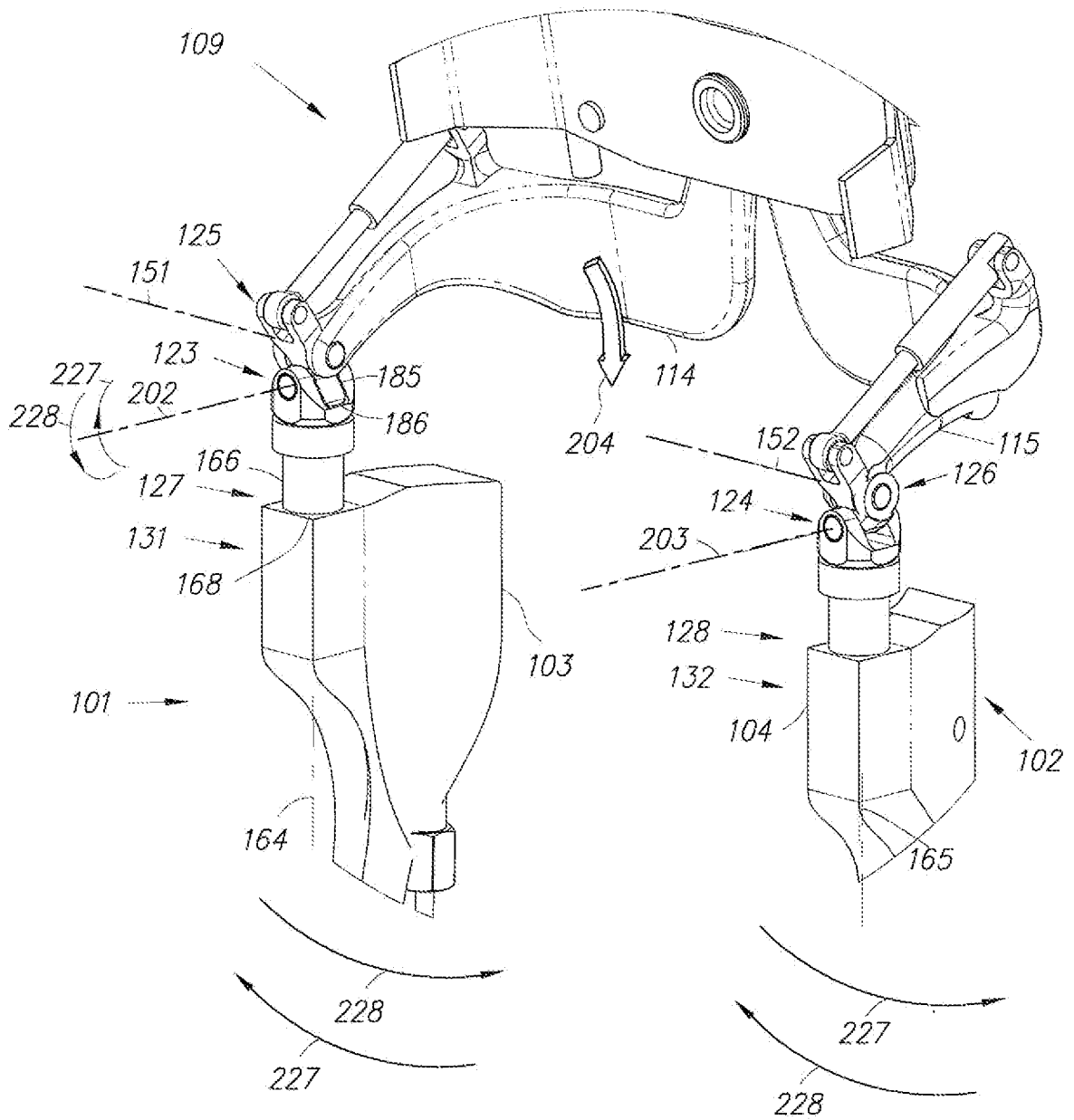


Fig. 19

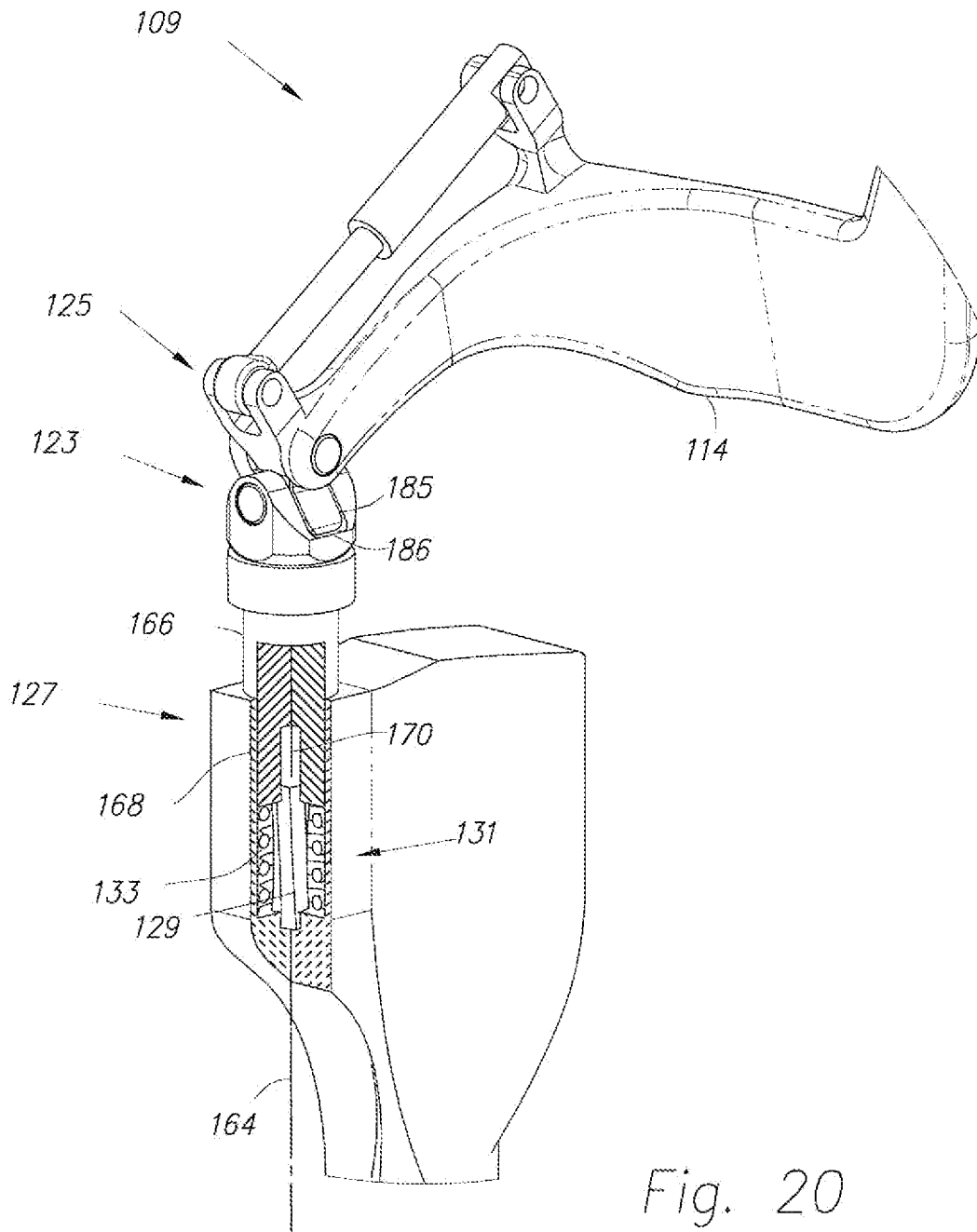


Fig. 20

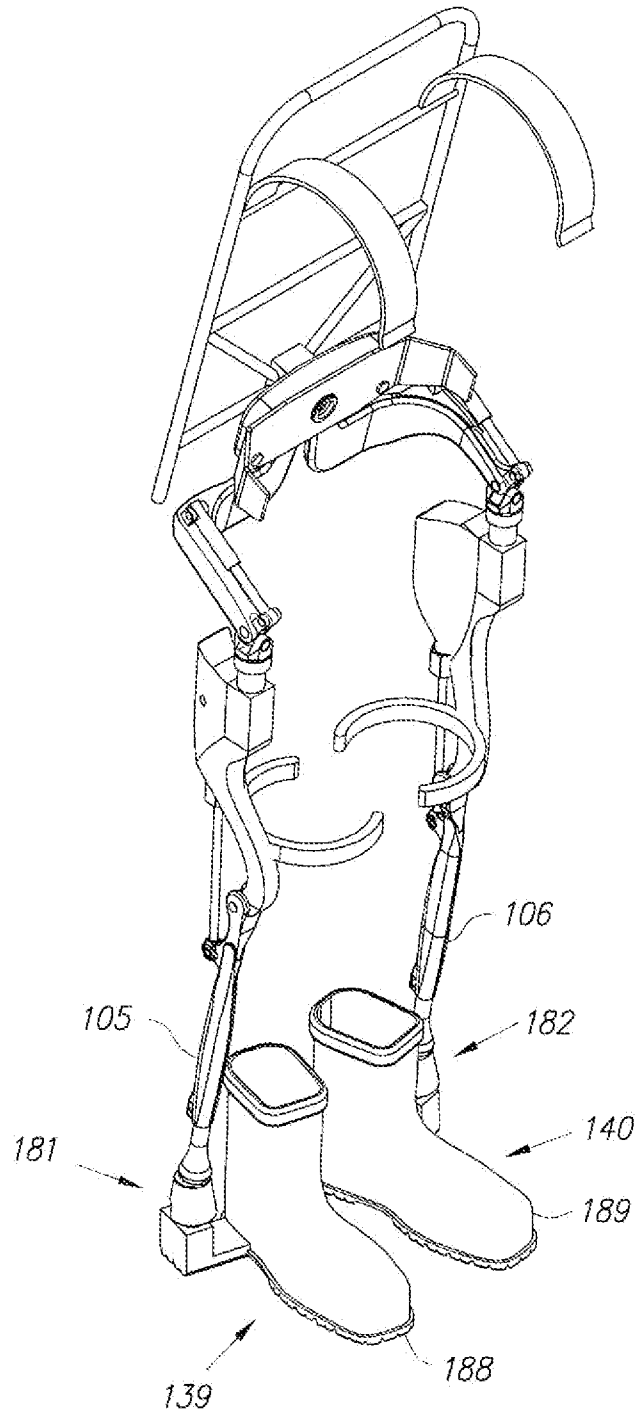


Fig. 21

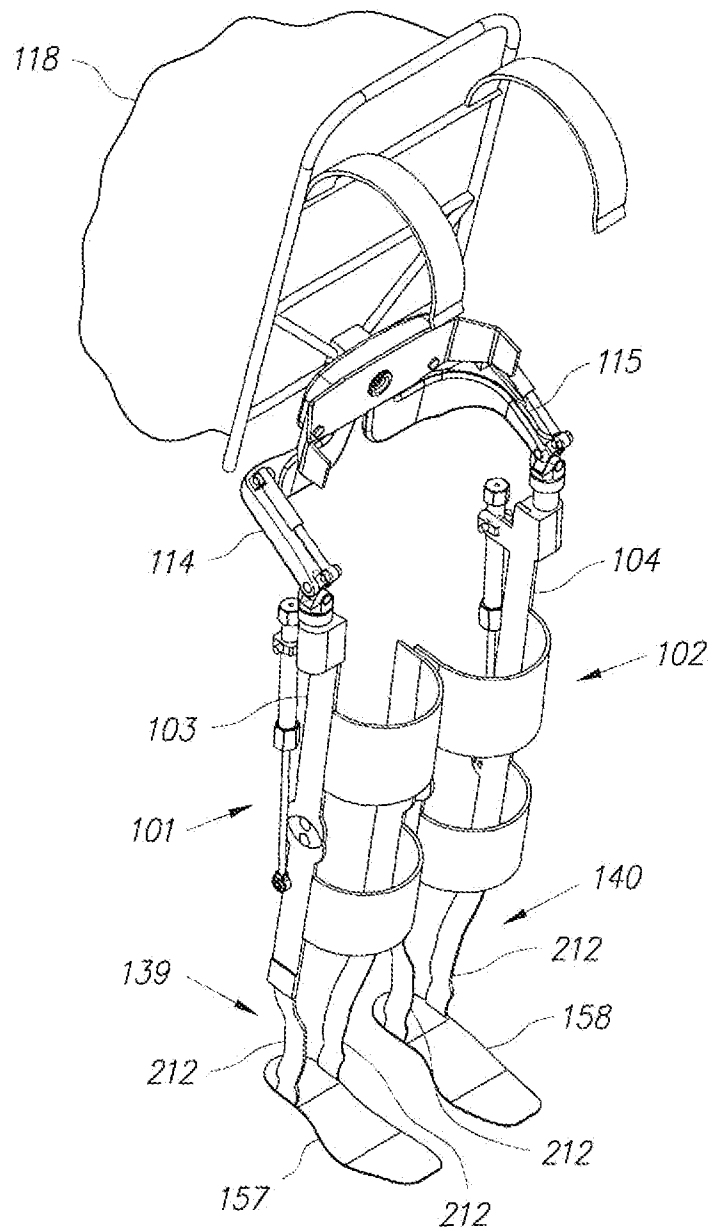


Fig. 22

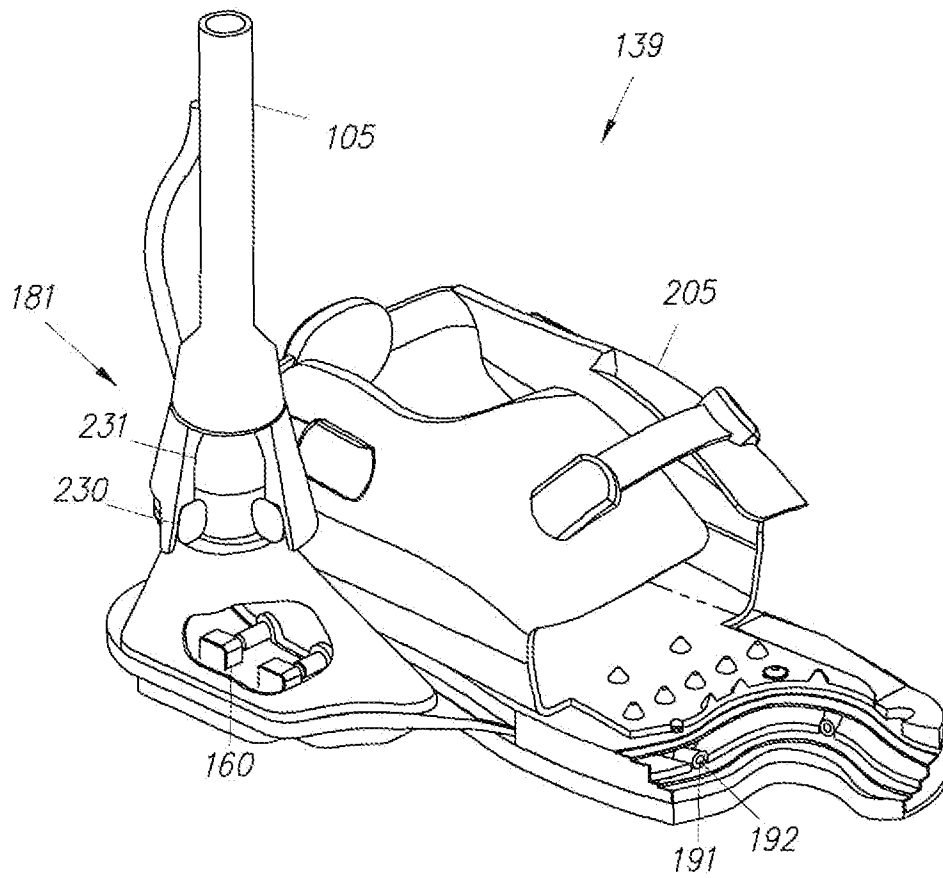


Fig. 23

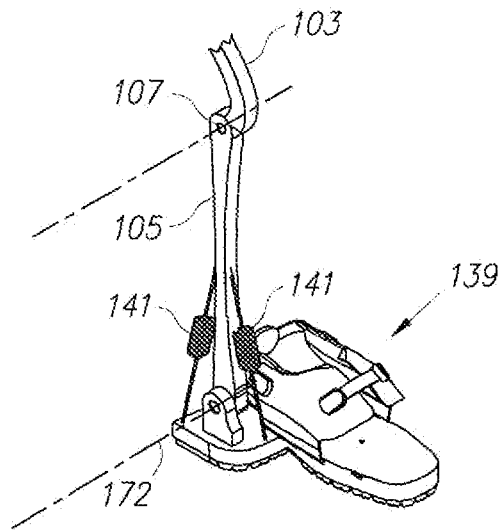


Fig. 24

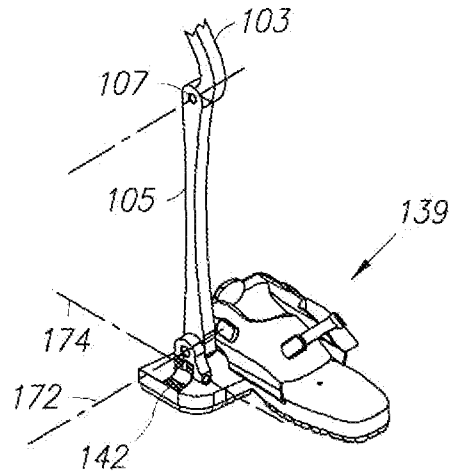


Fig. 25

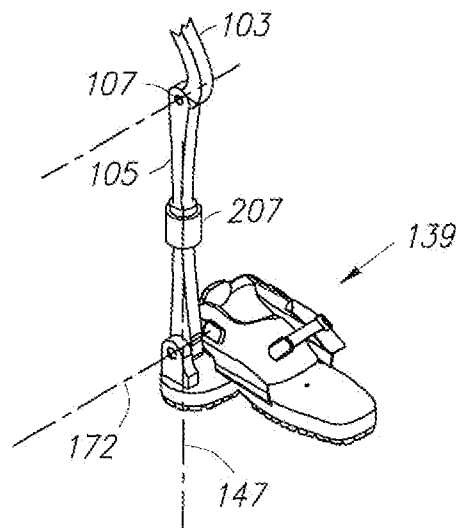


Fig. 26

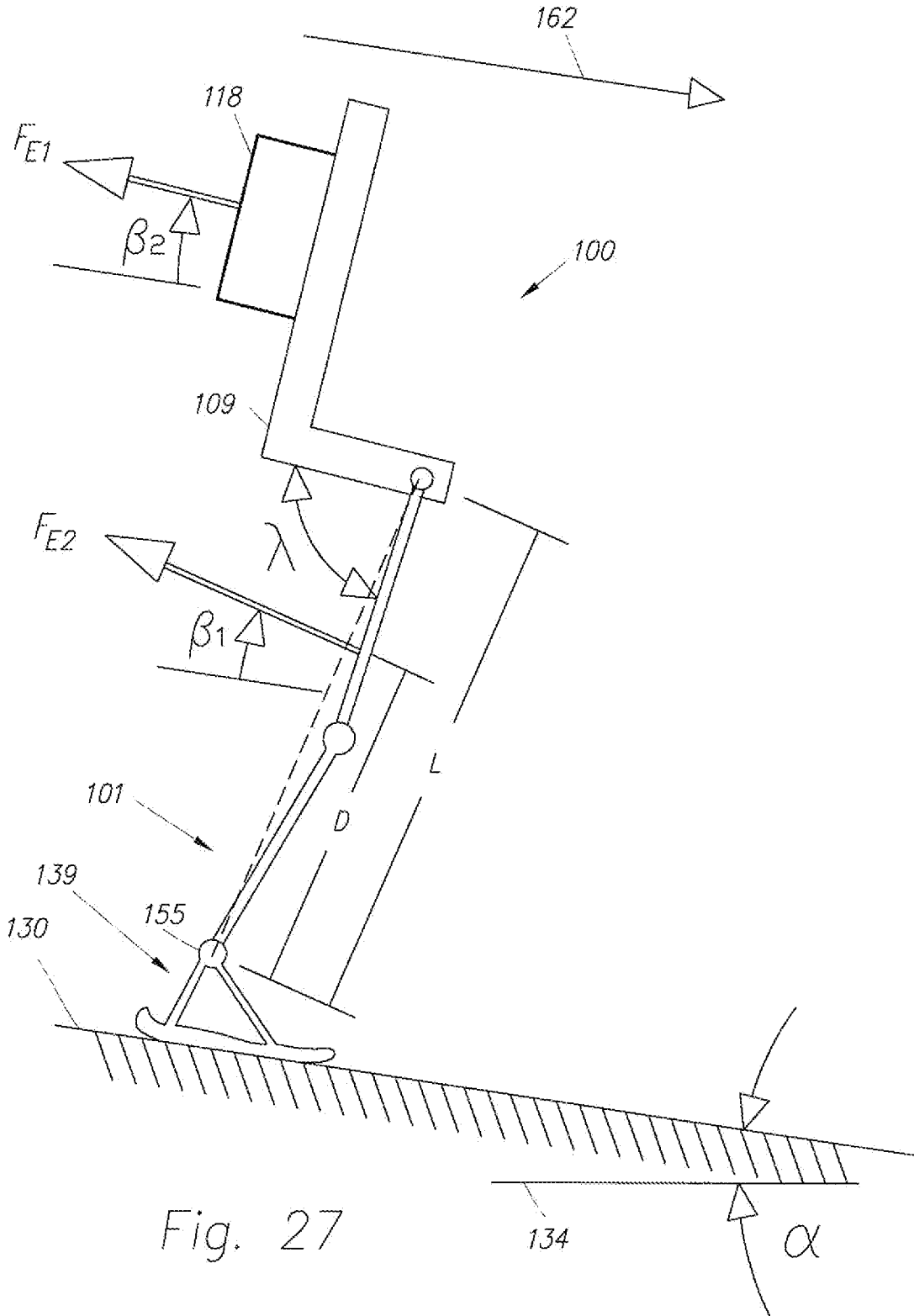


Fig. 27

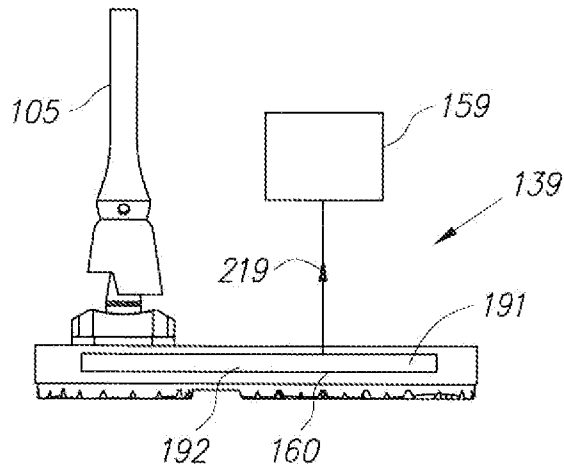


Fig. 28

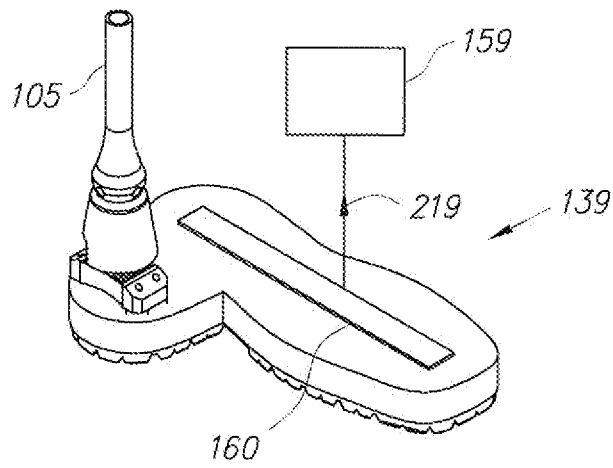


Fig. 29

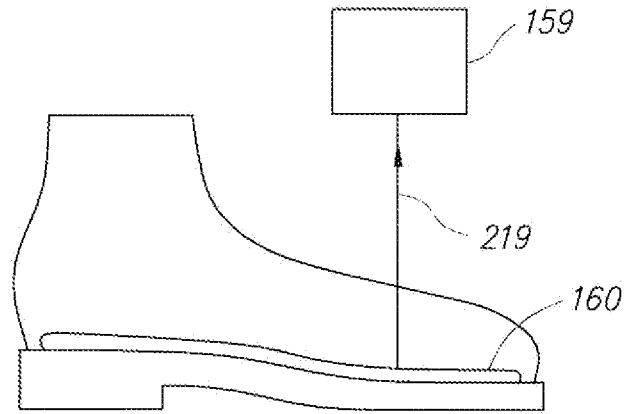


Fig. 30

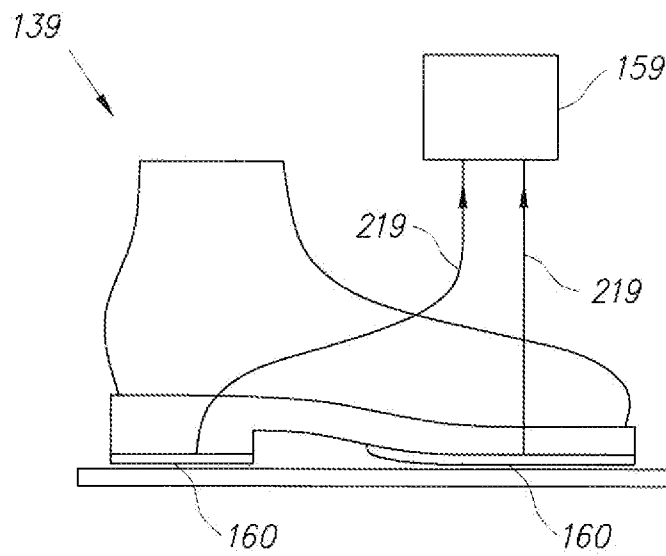


Fig. 31

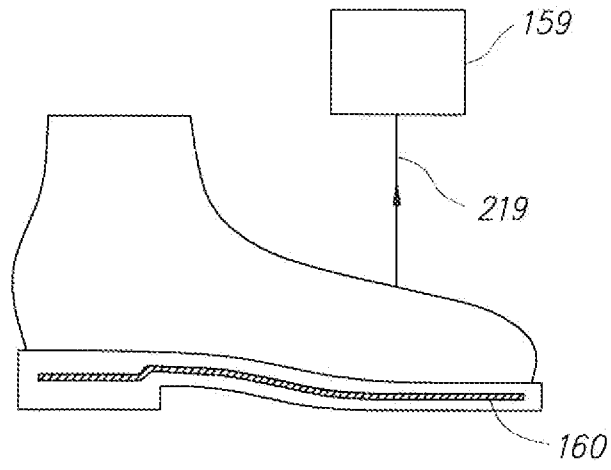


Fig. 32

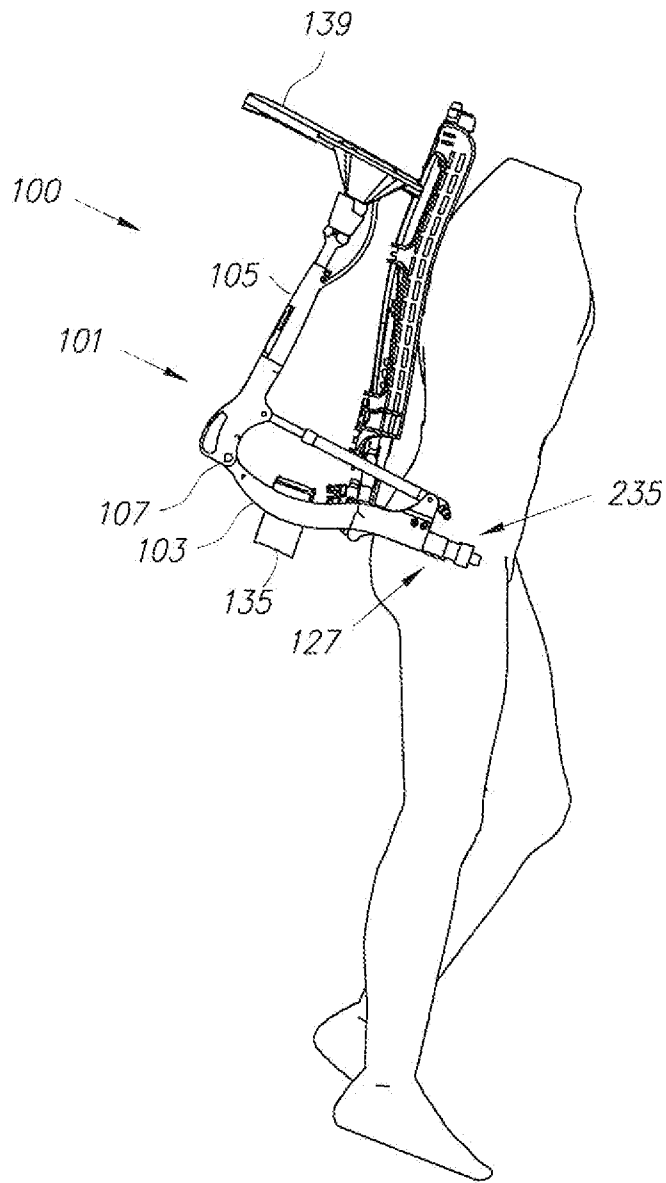


Fig. 33

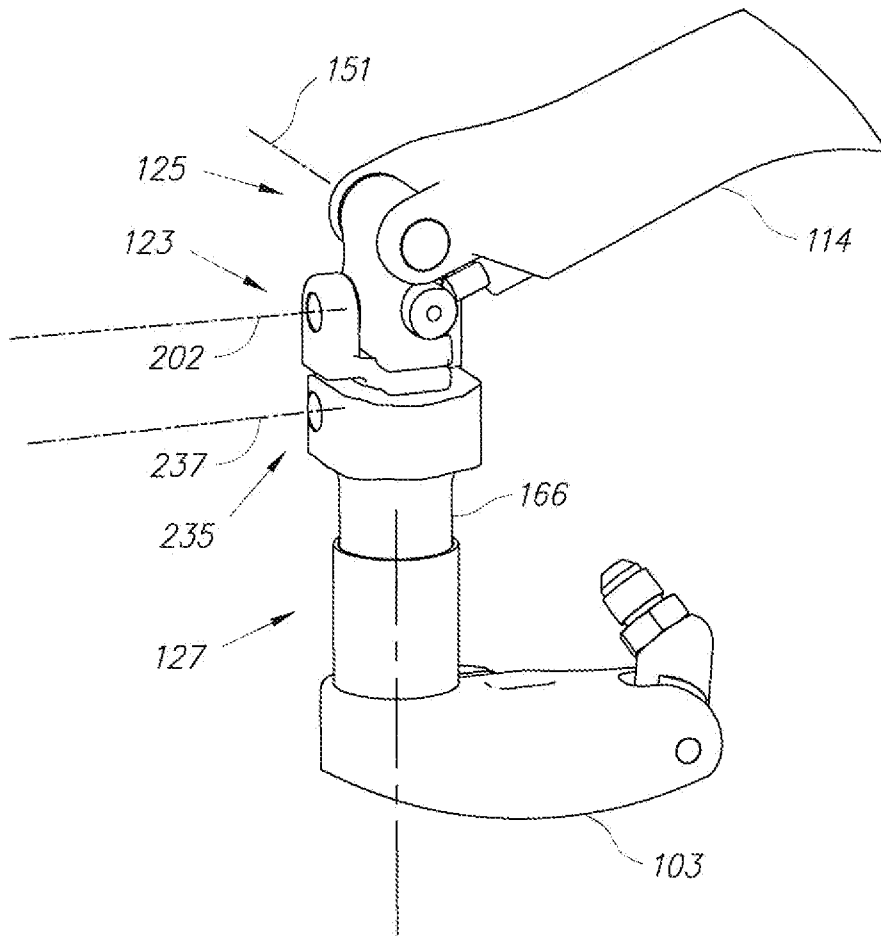


Fig. 34

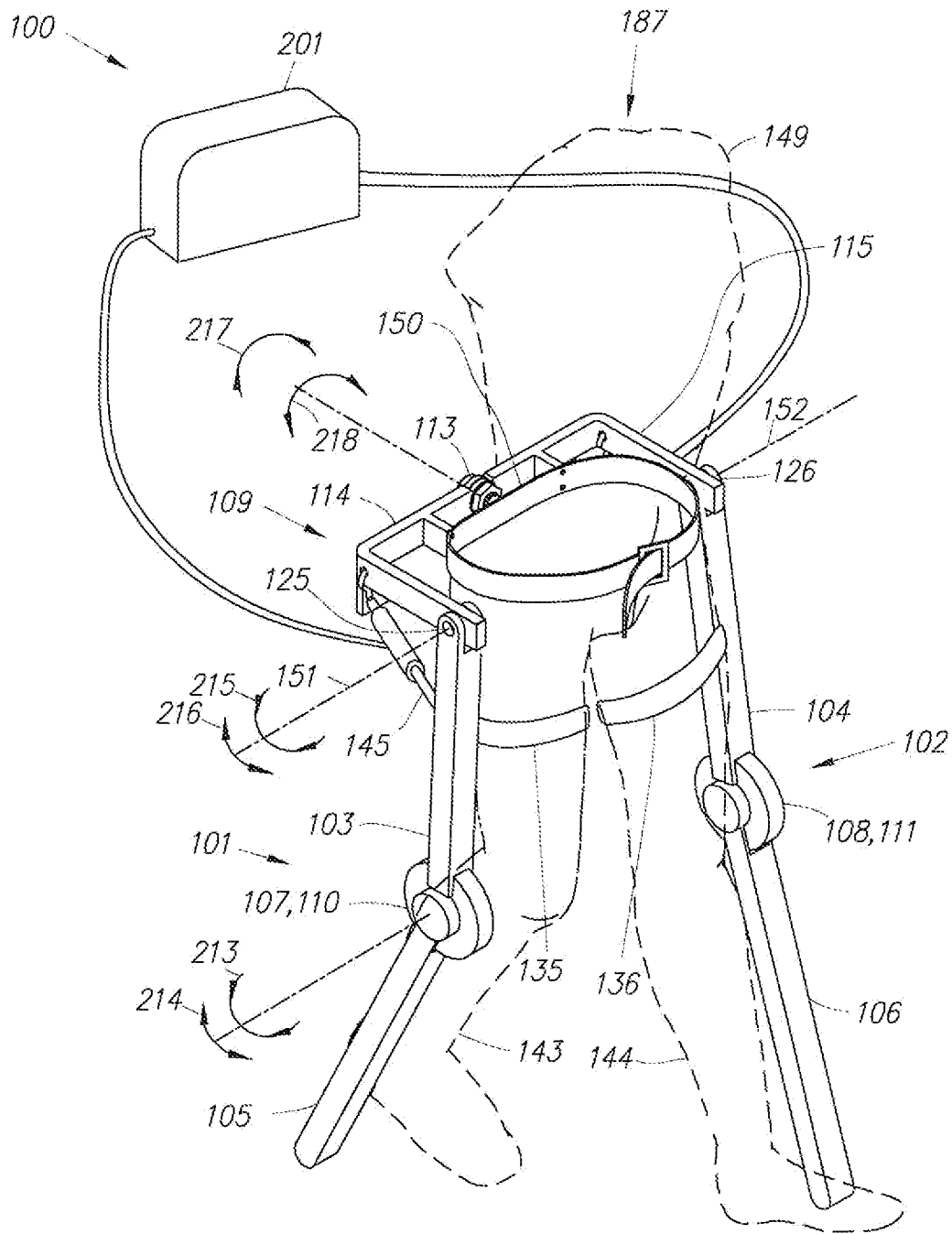


Fig. 35

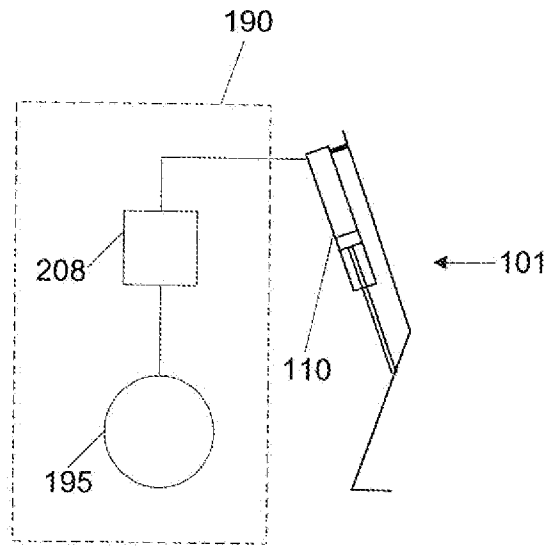


Figure 36

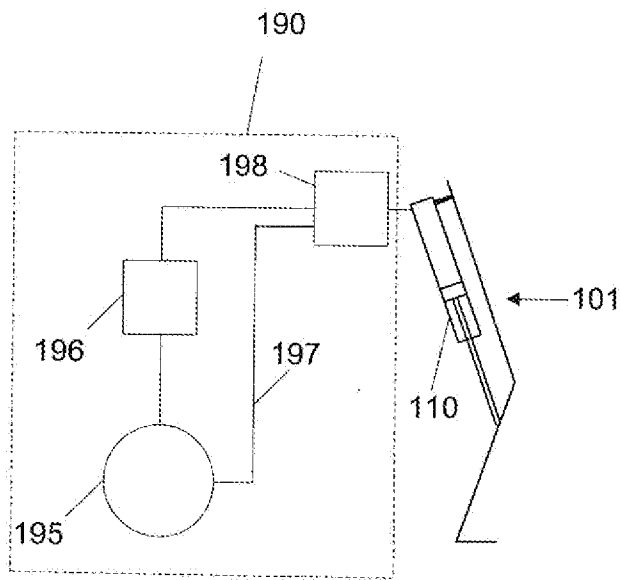


Figure 37

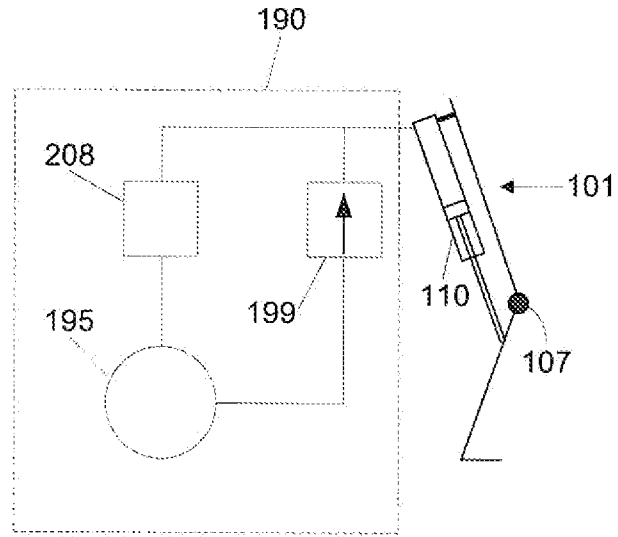


Figure 38

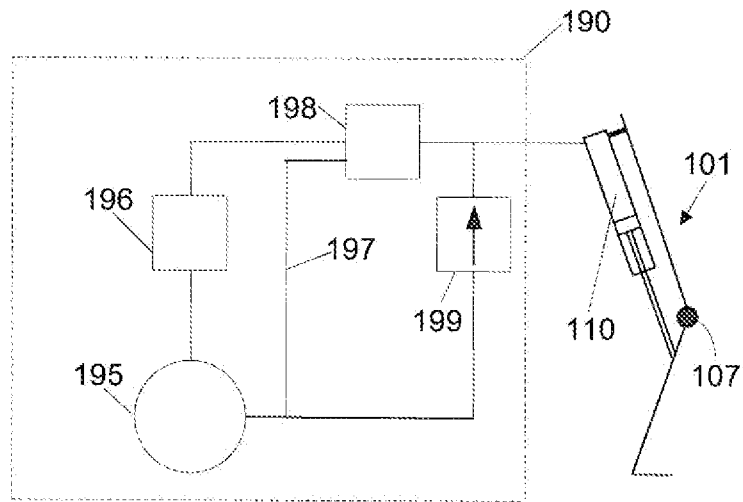


Figure 39

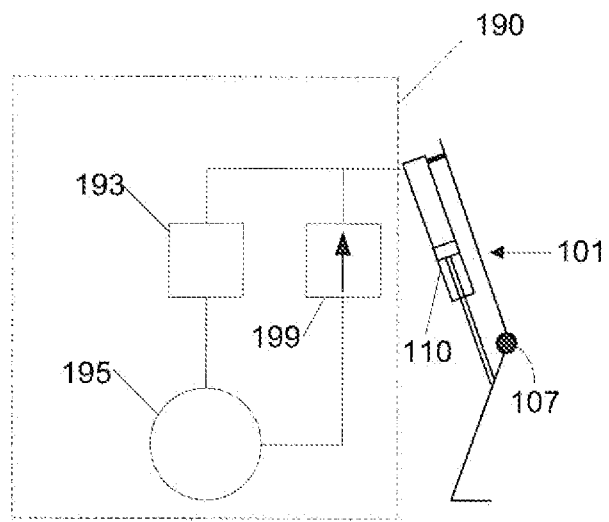


Figure 40

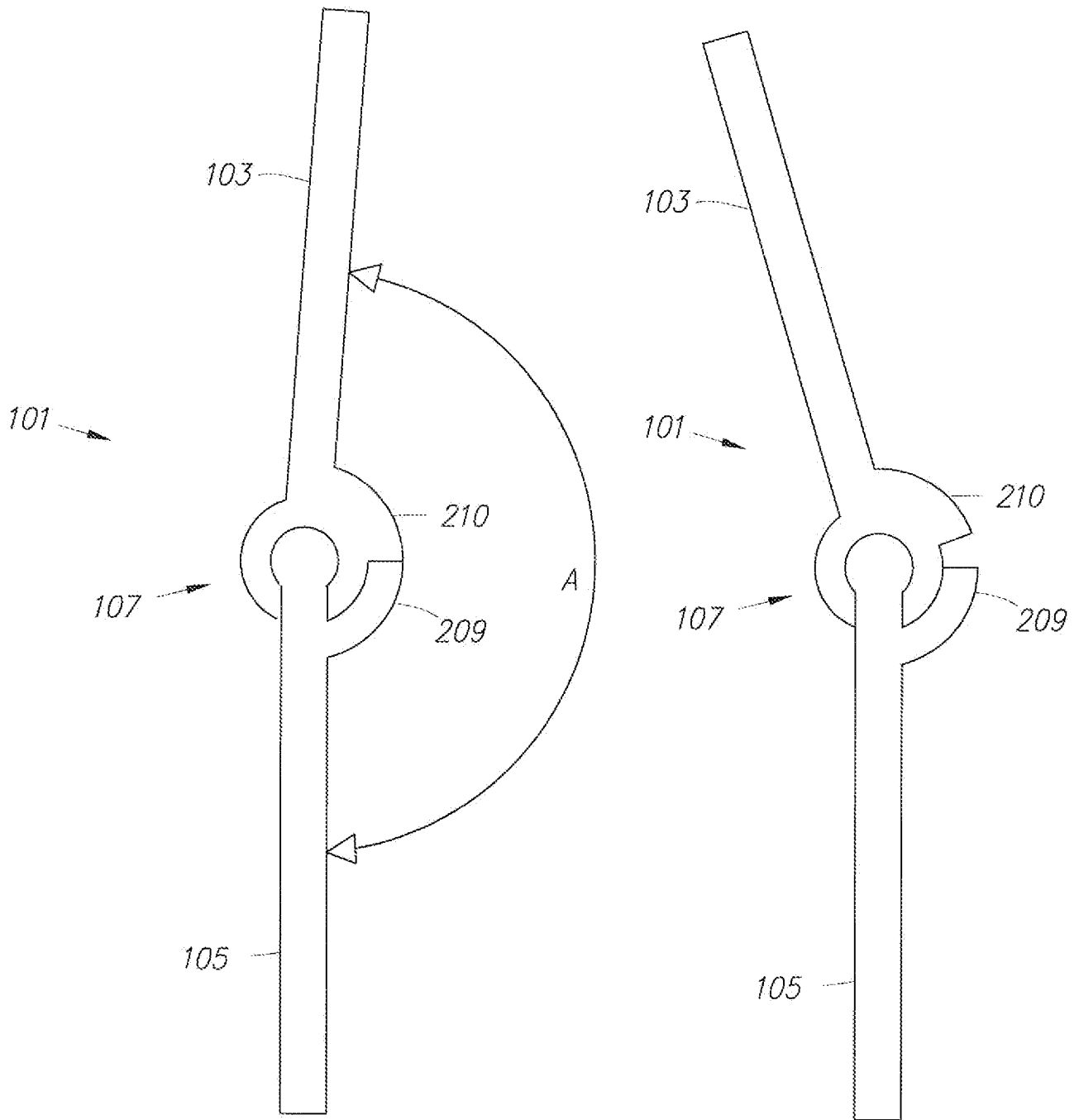


Fig. 41

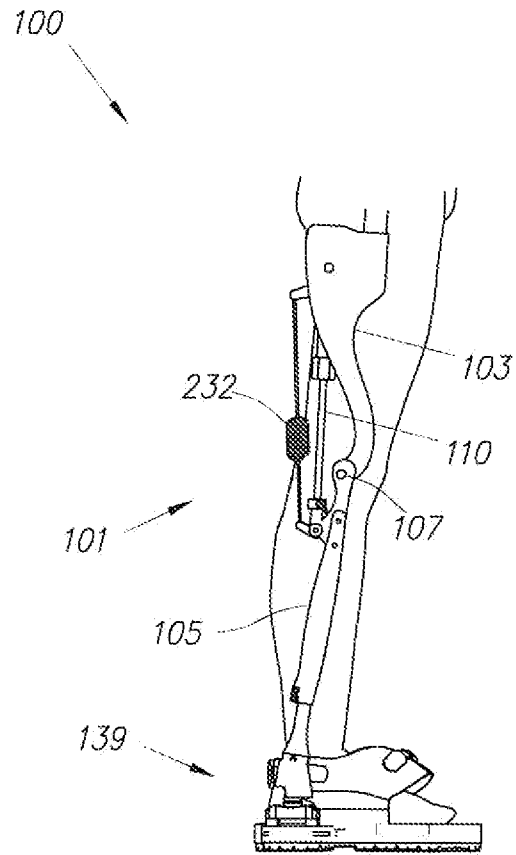


Fig. 42

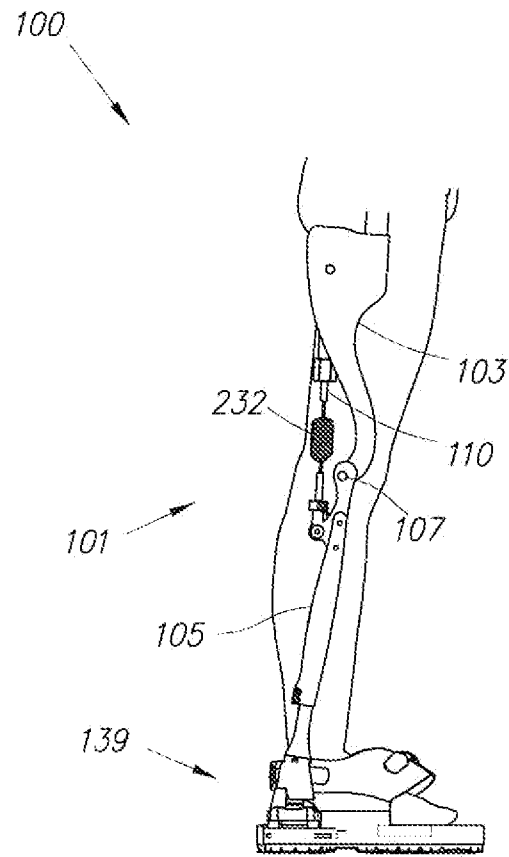


Fig. 43

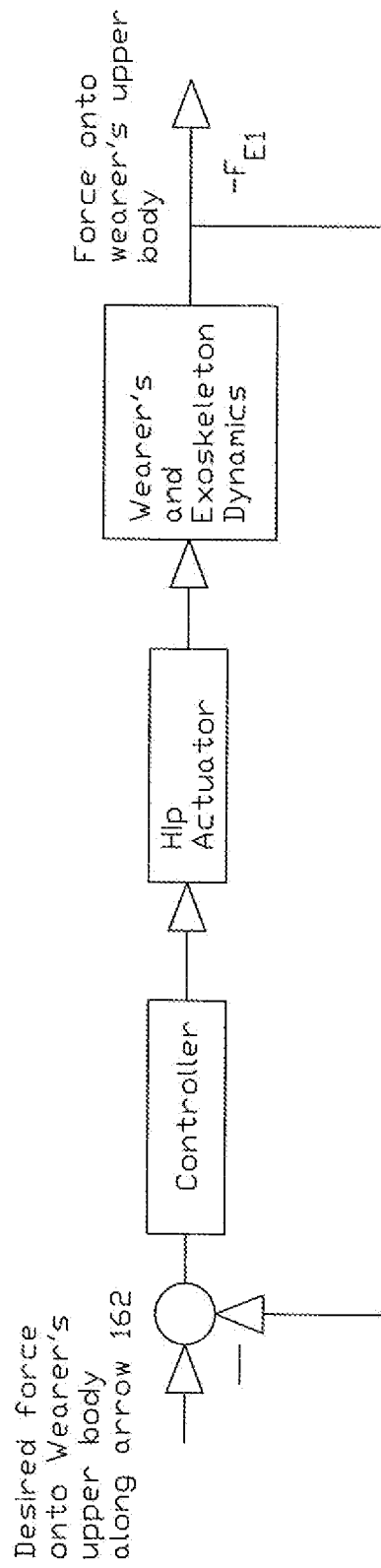


Fig. 44

40/40

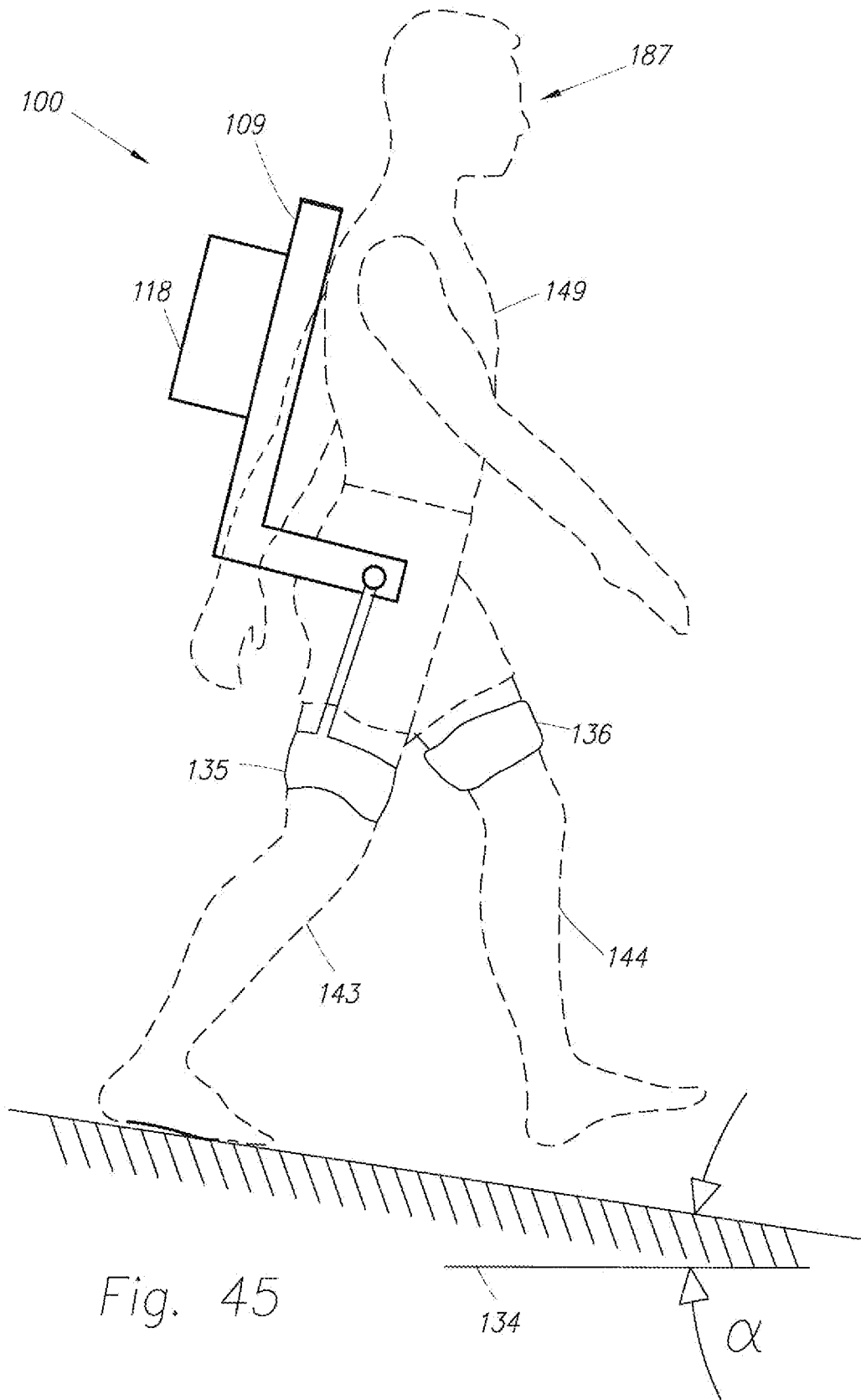


Fig. 45

INTERNATIONAL SEARCH REPORT

International application No.
PCT/US2009/044530

A. CLASSIFICATION OF SUBJECT MATTER
IPC(8) - A61F 2/74 (2009.01)
USPC - 623/26
According to International Patent Classification (IPC) or to both national classification and IPC

B. FIELDS SEARCHED

Minimum documentation searched (classification system followed by classification symbols)
IPC(8) - A61F 2/74, 2/50; A61H 3/00; B25J 9/00, 9/14 (2009.01)
USPC - 623/24,26; 602/23,24,26,27,16; 128/845; 601/5; 607/49

Documentation searched other than minimum documentation to the extent that such documents are included in the fields searched

Electronic data base consulted during the international search (name of data base and, where practicable, search terms used)
USPTO EAST System (US, USPG-PUB, EPO, DERWENT)

C. DOCUMENTS CONSIDERED TO BE RELEVANT

Category*	Citation of document, with indication, where appropriate, of the relevant passages	Relevant to claim No.
X -- Y	US 2007/0056592 A1 (ANGOLD et al) 15 March 2007 (15.03.2007) entire document	74, 76, 78, 80, 81, 83, 84, 86 ----- 1-73, 75, 77, 79, 82, 85
X -- Y	US 4,557,257 A (FERNANDEZ et al) 10 December 1985 (10.12.1985) entire document	87-90 ----- 1-73, 75, 79, 82, 85
Y	US 2006/0052732 A1 (SHIMADA et al) 09 March 2006 (09.03.2006) entire document	2, 77
Y	US 2006/0260620 A1 (KAZEROONI et al) 23 November 2006 (23.11.2006) entire document	38, 39, 59

Further documents are listed in the continuation of Box C.

* Special categories of cited documents:
 "A" document defining the general state of the art which is not considered to be of particular relevance
 "E" earlier application or patent but published on or after the international filing date
 "L" document which may throw doubts on priority claim(s) or which is cited to establish the publication date of another citation or other special reason (as specified)
 "O" document referring to an oral disclosure, use, exhibition or other means
 "P" document published prior to the international filing date but later than the priority date claimed
 "T" later document published after the international filing date or priority date and not in conflict with the application but cited to understand the principle or theory underlying the invention
 "X" document of particular relevance; the claimed invention cannot be considered novel or cannot be considered to involve an inventive step when the document is taken alone
 "Y" document of particular relevance; the claimed invention cannot be considered to involve an inventive step when the document is combined with one or more other such documents, such combination being obvious to a person skilled in the art
 "&" document member of the same patent family

Date of the actual completion of the international search 01 July 2009	Date of mailing of the international search report 09 JUL 2009
---	--

Name and mailing address of the ISA/US Mail Stop PCT, Attn: ISA/US, Commissioner for Patents P.O. Box 1450, Alexandria, Virginia 22313-1450 Facsimile No. 571-273-3201	Authorized officer: Blaine R. Copenheaver PCT Helpdesk: 571-272-4300 PCT OSP: 571-272-7774
---	---